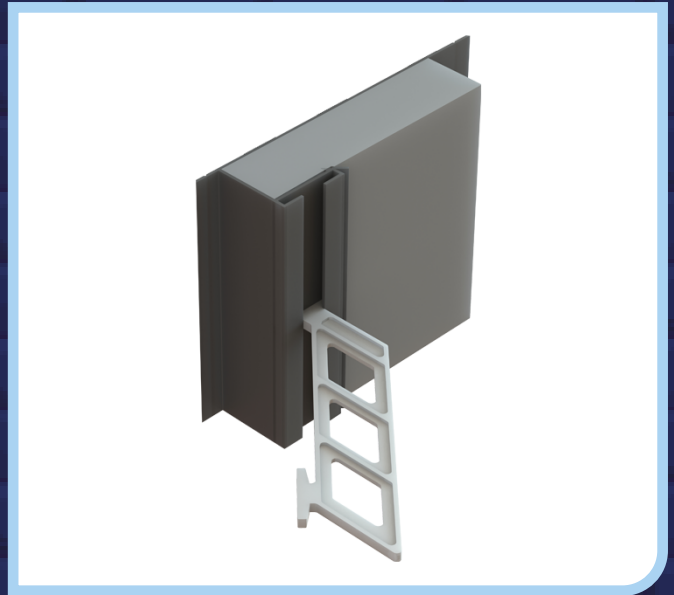


THERMO-LOC

+ FX Cavity Closer

INSTALLATION ADVICE

Universal closers for eliminating damp and cold bridging around doors, windows and sills



BBA Approved



Manufactured to BS EN ISO 9001 and BS EN ISO 14001



Complies with Building Regulation Approved Documents C, L1 & L2



Satisfies BRE document 'Thermal insulation: avoiding risks'

1.

The accredited construction detail published by DCLG require a minimum overlap of 30mm between the window frame and cavity closer.

2.

Cut the cavity closer into the required lengths allowing the jamb section to overlap the sill section by cutting away parts of the fixing flange and to butt the underside of the lintel.

3.

For second fix applications, the cavity closer is pushed into the open cavity after building work is complete. The compressible nature of the exposed insulation material is used to create a friction fit in the cavity, or alternatively the insulation can be trimmed to fit using a sharp knife.

4.

Fixing nails to the flanges are recommended to ensure a secure fit.

5.

Cavity insulation should butt tightly to the cavity closer.

Scan or click to view the product datasheet

