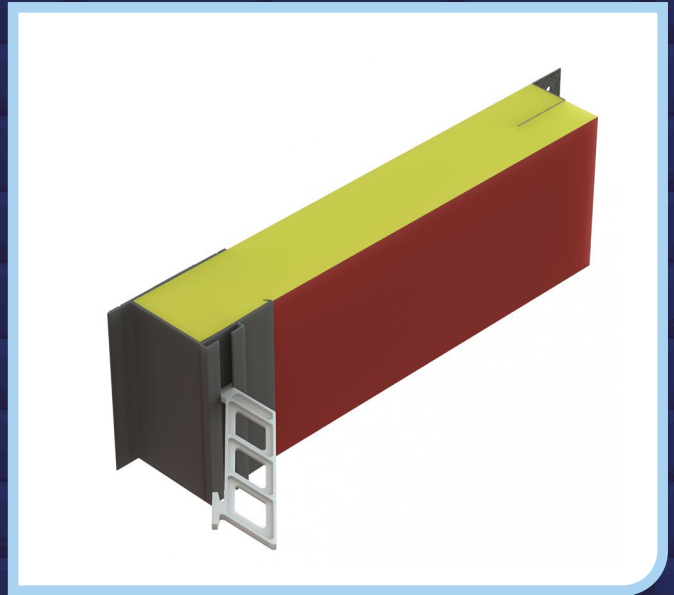


# FR60+

## INSTALLATION ADVICE

Fire rated barriers for eliminating damp and cold bridging around doors, windows and sills for cavities over 150mm up to 300mm



BBA approved



Independently tested by  
Warringtonfire



Satisfies NHBC  
Standards



Manufactured to BS EN  
ISO 9001 and BS EN ISO  
14001

1.

Can be used in both first and second fix applications. Cut the cavity closer into required lengths allowing the jamb section to overlap the sill section and to butt the underside of the lintel.

2.

Fit the 4 metal fixing flanges 100mm from each end and 100mm from the centre line. Ensure 2 fixing flanges per insulation slab section.

3.

In first fix application the cavity barrier should be nailed to the jamb/sill of the door or window frame and the whole assembly built in as work proceeds. Alternatively the barrier can be built in sections using fixing ties as work proceeds.

4.

For second fix applications, the cavity barrier is pushed into the open cavity after building work is complete. The compressible nature of the exposed insulation material is used to create a friction fit in the cavity, secure nail fixing is required.

5.

Joining 'off cut' sections should be minimised for the FR range.

Scan or click to view the  
product datasheet

