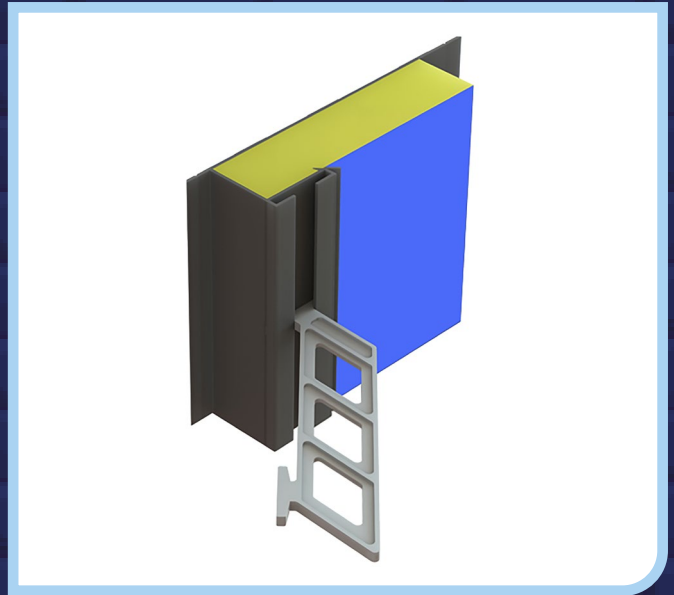


# FR30

## INSTALLATION ADVICE

Fire rated barriers for eliminating damp and cold bridging around doors, windows and sills



BBA Approved



Independently tested by  
Warringtonfire



Satisfies NHBC  
Standards



Manufactured to BS EN  
ISO 9001 and BS EN ISO  
14001

1.

Can be used in both first and second fix applications. Cut the cavity closer into required lengths allowing the jamb section to overlap the sill section and to butt the underside of the lintel.

2.

In first fix application the cavity barrier should be nailed to the jamb/sill of the door or window frame and the whole assembly built in as work proceeds. Alternatively the barrier can be built in sections using fixing ties as work proceeds.

3.

For second fix applications, the cavity closer is pushed into the open cavity after building work is complete. The compressible nature of the exposed insulation material is used to create a friction fit in the cavity, secure nail fixing is required.

4.

Joining 'off cut' sections should not be carried out for the FR range.

Scan or click to view the  
product datasheet

