

Alumasc Building Products Ltd t/a Timloc Building Products

Timloc House
Ozone Park, Howden
East Riding of Yorkshire
DN14 7SD

Tel: +44 (0) 1405 765567
e-mail: technical@timloc.co.uk
website: www.timloc.co.uk



Agrément Certificate
25/7361
Product Sheet 1 Issue 1

TIMLOC THERMO-LOC CAVITY CLOSERS

TIMLOC THERMO-LOC PLATINUM MULTI, PLATINUM+ AND PLATINUM+ FX

This Agrément Certificate Product Sheet⁽¹⁾ relates to Timloc Thermo-Loc Platinum Multi, Platinum+ and Platinum+ FX, for use as insulated UPVC cavity closers in external door and window jambs or sills in masonry walls. The products do not constitute a cavity barrier against the penetration of smoke and flame.

(1) Hereinafter referred to as 'Certificate'.

The assessment includes

Product factors:

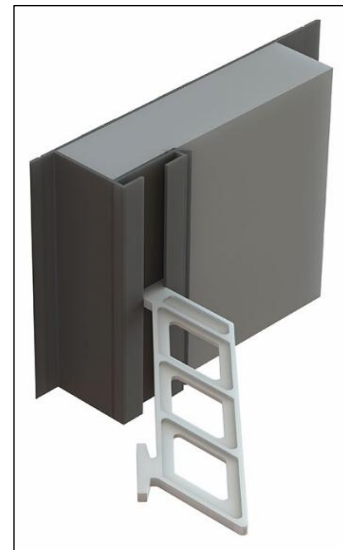
- compliance with Building Regulations
- compliance with additional regulatory or non-regulatory information where applicable
- evaluation against technical specifications
- assessment criteria and technical investigations
- uses and design considerations

Process factors:

- compliance with Scheme requirements
- installation, delivery, handling and storage
- production and quality controls
- maintenance and repair

Ongoing contractual Scheme elements†:

- regular assessment of production
- formal 3-yearly review



KEY FACTORS ASSESSED

- Section 1. Mechanical resistance and stability
- Section 2. Safety in case of fire
- Section 3. Hygiene, health and the environment
- Section 4. Safety and accessibility in use
- Section 5. Protection against noise
- Section 6. Energy economy and heat retention
- Section 7. Sustainable use of natural resources
- Section 8. Durability

The BBA has awarded this Certificate to the company named above for the products described herein. These products have been assessed by the BBA as being fit for their intended use provided they are installed, used and maintained as set out in this Certificate.

On behalf of the British Board of Agrément

Date of issue: 18 March 2025

Hardy Giesler
Chief Executive Officer

This BBA Agrément Certificate is issued under the BBA's Inspection Body accreditation to ISO/IEC 17020. Sections marked with † are not issued under accreditation.

The BBA is a UKAS accredited Inspection Body (No. 4345), Certification Body (No. 0113) and Testing Laboratory (No. 0357).

Readers MUST check that this is the latest issue of this Agrément Certificate by either referring to the BBA website or contacting the BBA directly.

The Certificate should be read in full as it may be misleading to read clauses in isolation.

Any photographs are for illustrative purposes only, do not constitute advice and should not be relied upon.

British Board of Agrément

1st Floor, Building 3, Hatters Lane
Croxley Park, Watford
Herts WD18 8YG

©2025

tel: 01923 665300
clientservices@bbacerts.co.uk
www.bbacerts.co.uk

SUMMARY OF ASSESSMENT AND COMPLIANCE

This section provides a summary of the assessment conclusions; readers should refer to the later sections of this Certificate for information about the assessments carried out.

Compliance with Regulations

Having assessed the key factors, the opinion of the BBA is that Timloc Thermo-Loc Platinum, Platinum+ and Platinum+ FX, if installed, used and maintained in accordance with this Certificate, can satisfy or contribute to satisfying the relevant requirements of the following Building Regulations:



The Building Regulations 2010 (England and Wales) (as amended)

Requirement: C2(b)	Resistance to moisture
Comment:	The products provide a degree of protection against rain ingress. See section 3 of this Certificate.
Requirement: C2(c)	Resistance to moisture
Comment:	The products can contribute to reducing the risk of interstitial and surface condensation. See section 3 of this Certificate.
Requirement: L1(a)(i)	Conservation of fuel and power
Comment:	The products can contribute to minimising heat loss at jambs and sills. See section 6 of this Certificate.
Regulation: 7(1)	Materials and workmanship
Comment:	The products are acceptable. See sections 8 and 9 of this Certificate.
Regulation: 25B	Nearly zero-energy requirements for new buildings
Regulation: 26	CO₂ emission rates for new buildings
Regulation: 26A	Fabric energy efficiency rates for new dwellings (applicable to England only)
Regulation: 26A	Primary energy rates for new buildings (applicable to Wales only)
Regulation: 26B	Fabric performance values for new dwellings (applicable to Wales only)
Regulation: 26C	Target primary energy rates for new buildings (applicable to England only)
Regulation: 26C	Energy efficiency rating (applicable to Wales only)
Comment:	The products can contribute to minimising heat loss at jambs and sills. See section 6 of this Certificate.



The Building (Scotland) Regulations 2004 (as amended)

Regulation: 8(1)	Fitness and durability of materials and workmanship
Comment:	The products can contribute to a construction satisfying this Regulation. See sections 8 and 9 of this Certificate.
Regulation: 9	Building standards – construction
Standard: 3.10	Precipitation
Comment:	The products can contribute to a construction satisfying this Standard, with reference to clause 3.10.1 ⁽¹⁾⁽²⁾ . See section 3 of this Certificate.
Standard: 3.15	Condensation
Comment:	The products can contribute to satisfying this Standard, with reference to clauses 3.15.1 ⁽¹⁾⁽²⁾ , 3.15.4 ⁽¹⁾⁽²⁾ and 3.15.5 ⁽¹⁾⁽²⁾ . See section 3 of this Certificate.
Standard: 6.1(b)(c)	Energy demand
Comment:	The products can contribute to minimising heat loss at jambs and sills, with reference to clauses 6.1.1 ⁽¹⁾ and 6.1.2 ⁽²⁾ . See section 6 of this Certificate.

Standard: Comment:	6.2	Building insulation envelope The products can contribute to minimising heat loss and jambs and sills, with reference to clauses 6.2.3 ⁽¹⁾ , 6.2.4 ⁽²⁾ , 6.2.6 ⁽¹⁾ , 6.2.7 ⁽²⁾ , 6.2.8 ⁽¹⁾ , 6.2.9 ⁽¹⁾⁽²⁾ , 6.2.10 ⁽²⁾ , 6.2.12 ⁽¹⁾ , 6.2.11 ⁽¹⁾⁽²⁾ and 6.2.12 ⁽¹⁾ . See section 6 of this Certificate.
Standard: Comment:	7.1(a)(b)	Statement of sustainability The products can contribute to satisfying the relevant requirements of Regulation 9, Standards 1 to 6, and therefore will contribute to a construction meeting a bronze level of sustainability as defined in this Standard. In addition, the products can contribute to a construction meeting a higher level of sustainability as defined in this Standard, with reference to clauses 7.1.4 ⁽¹⁾⁽²⁾ , 7.1.6 ⁽¹⁾⁽²⁾ , 7.1.7 ⁽¹⁾⁽²⁾ , 7.1.9 ⁽²⁾ and 7.1.10 ⁽²⁾ . See section 6 of this Certificate.
Regulation: Comment:	12	Building standards – conversion Comments in relation to the products under Regulation 9, Standards 1 to 6, also apply to this Regulation, with reference to clause 0.12.1 ⁽¹⁾⁽²⁾ and Schedule 6 ⁽¹⁾⁽²⁾ . (1) Technical Handbook (Domestic). (2) Technical Handbook (Non-Domestic).



The Building Regulations (Northern Ireland) 2012 (as amended)

Regulation: Comment:	23(1)(a)(i) (iii)(b)(i)(ii)	Fitness of materials and workmanship The products are acceptable. See sections 8 and 9 of this Certificate.
Regulation: Comment:	28(b)	Resistance to moisture and weather The products provide a degree of protection against rain ingress. See section 3 of this Certificate.
Regulation: Comment:	29	Condensation The products can contribute to satisfying this Regulation. See section 3 of this Certificate.
Regulation: Comment:	39(a)(i)	Conservation measures The products can contribute to satisfying this Regulation. See section 6 of this Certificate.
Regulation: Regulation: Comment:	40(2) 43B	Target carbon dioxide emission rate Nearly zero-energy requirements for new buildings The products can contribute to reducing heat loss at jambs and sills. See section 6 of this Certificate.

Additional Information

NHBC Standards 2025

In the opinion of the BBA, Timloc Thermo-Loc Platinum Multi, Platinum+ and Platinum+ FX, if installed, used and maintained in accordance with this Certificate, can satisfy or contribute to satisfying the relevant requirements in relation to *NHBC Standards*, Chapter 6.1 *External masonry walls*.

Fulfilment of Requirements

The BBA has judged Timloc Thermo-Loc Platinum Multi, Platinum+ and Platinum+ FX to be satisfactory for use as described in this Certificate. The products have been assessed for use as insulated cavity closers in external door and window jambs or sills in masonry walls. The products do not constitute a cavity barrier against the penetration of smoke and flame.

ASSESSMENT

Product description and intended use

The Certificate holder provided the following description for the products under assessment. Timloc Thermo-Loc Platinum Multi, Platinum+ and Platinum+ FX cavity closers (see Figures 1 to 3) consist of:

- UPVC extruded profiles
- 20 or 25 mm thick expanded polystyrene (EPS) core.

The products have the nominal characteristics given in Table 1 and the dimensions shown in Figures 4 to 6).

Table 1 Nominal characteristics

Closer type	Insulation thickness (mm)	Cavity widths (mm)	Length (m)
Platinum Multi	20	50-100 (single profile)	2.4
		100-150 (single profile)	2.4
Platinum+	25	50-100 (single profile)	2.4
		105-150 (double profile)	2.4
Platinum+ FX	25	50-100 (single profile)	2.4
		105-150 (double profile)	2.4

Figure 1 Thermo-Loc Platinum Multi cavity closer

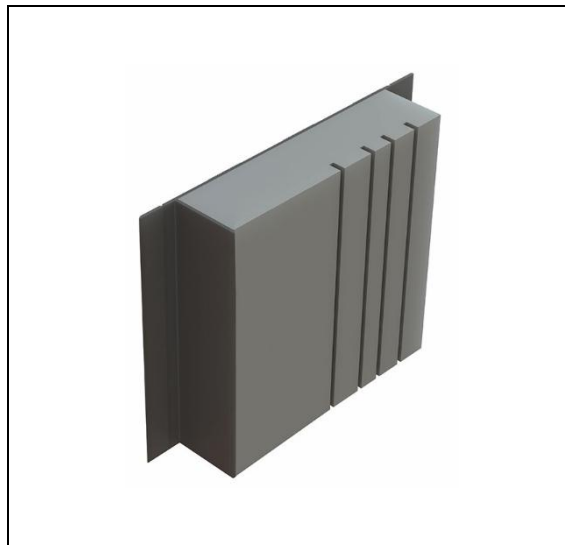


Figure 2 Thermo-Loc Platinum+ cavity closer

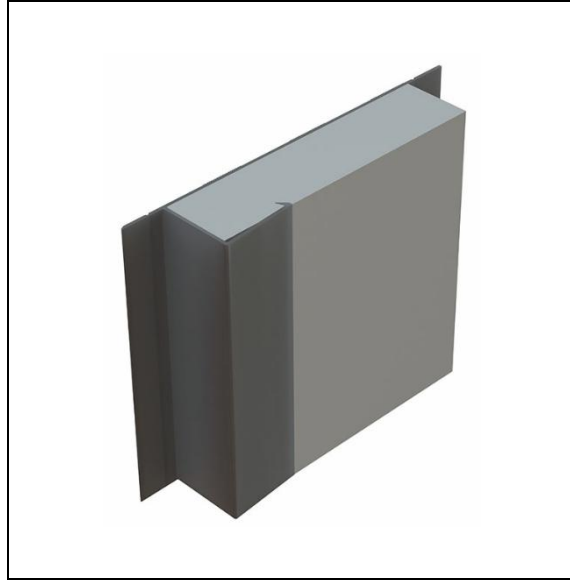


Figure 3 Thermo-Loc Platinum+ FX cavity closer



Figure 4 Dimensions of Thermo-Loc Platinum Multi

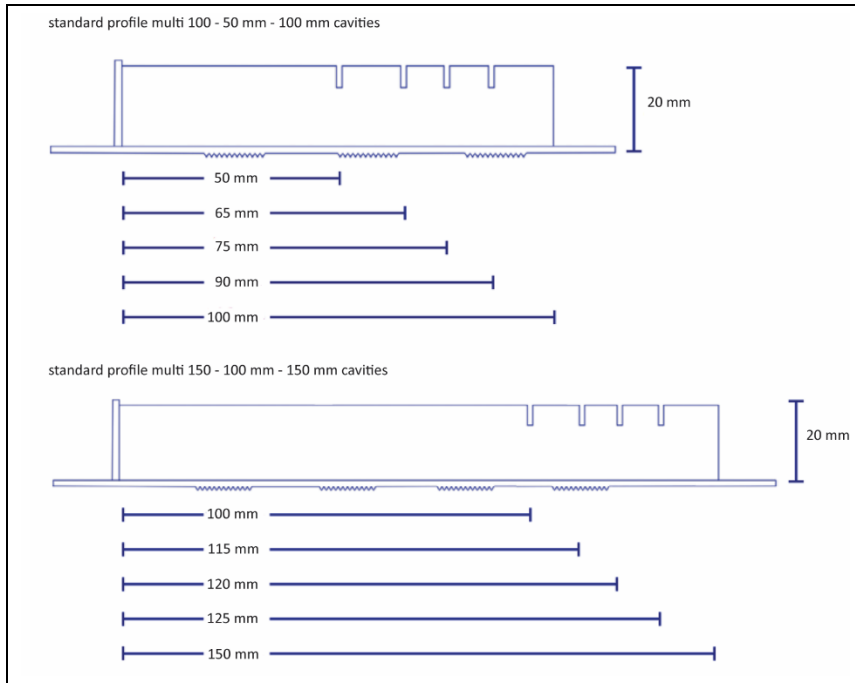


Figure 5 Dimensions of Thermo-Loc Platinum+

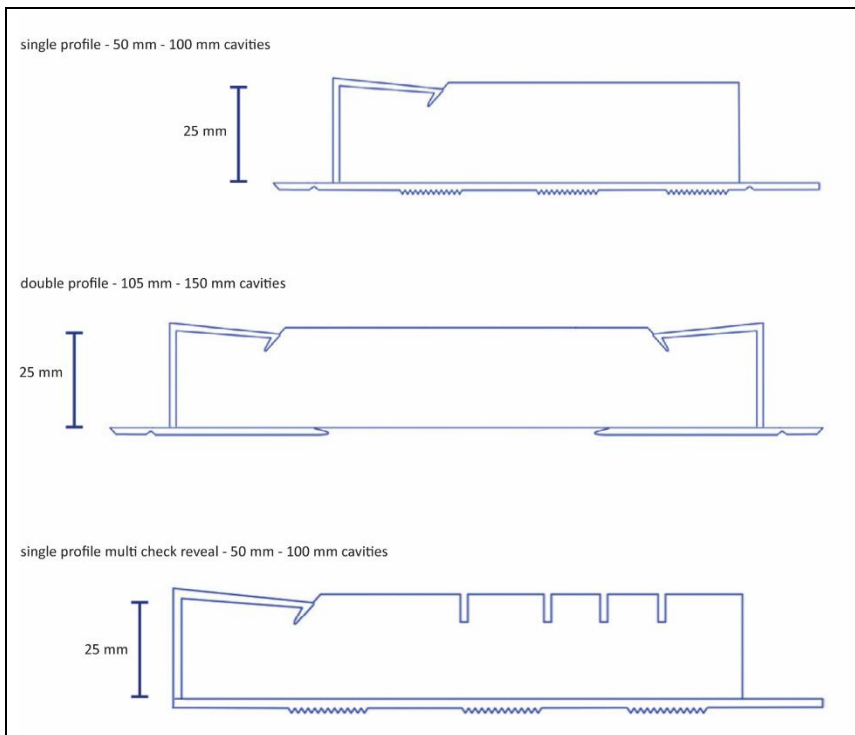
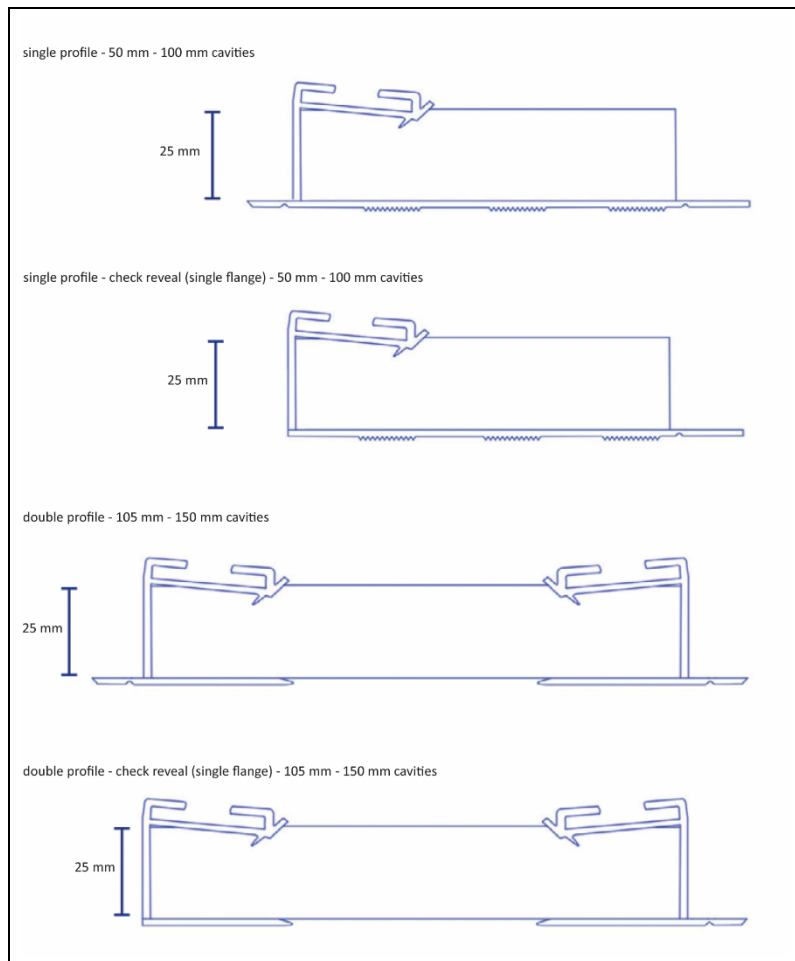


Figure 6 Dimensions of Thermo-Loc Platinum+ FX



Ancillary Items

The Certificate holder recommends polypropylene fixing ties for use with Platinum+ FX, but these products have not been assessed by the BBA and are outside the scope of this Certificate:

Applications

The products are for use:

- in masonry walls with a cavity, with timber, PVC-U, aluminium or steel window or door frames
- to establish the cavity width and to form an opening and avoid the need for cutting bricks and blocks
- in a flush jamb opening, with a flange located over both inner and outer leaves
- in a check reveal detail in which the frame is positioned in a jamb rebate behind the outer leaf and to fit the window after completion of the masonry, as is conventional practice in some areas.

Product assessment – key factors

The products were assessed for the following key factors, and the outcome of the assessment is shown below. Conclusions relating to the Building Regulations apply to the whole of the UK unless otherwise stated.

1 Mechanical resistance and stability

Data were assessed for the following characteristics.

1.1 Structural performance

1.1.1 The products are non-loadbearing.

1.1.2 Use of the products does not obviate the need for conventional wall ties around the openings.

1.1.3 Lintels are required above window and door openings.

1.1.4 Window and door frames must be fixed to the masonry by conventional means.

1.1.5 The products will not have an adverse effect on the structural stability of brickwork or blockwork walls constructed in the conventional manner in accordance with normal good practice as defined in the Standards listed in section 9.1.3 of this Certificate.

2 Safety in case of fire

Data were assessed for the following characteristics.

2.1 Reaction to fire

The Certificate holder has not declared a reaction to fire classification to BS EN 13501-1 : 2018 for the products.

2.2 Resistance to fire

The products do not constitute a cavity barrier against the penetration of smoke and flame. Therefore, they must be used in conjunction with cavity barriers, where required and in accordance with the requirements defined in the documents supporting the national Building Regulations.

3 Hygiene, health and the environment

Data were assessed for the following characteristics.

3.1 Condensation

3.1.1 Example junctions incorporating the products were assessed for the minimum temperature factor and the results are given in Table 2.

Table 2 Minimum temperature factors⁽¹⁾

Product assessed	Assessment method	Requirement	Result (f_{RSI})
Thermo-Loc Platinum Multi (100 mm width)	BS EN ISO 10211 : 2017, BRE Report BR 497 : 2016 and BRE IP 1/06	≥ 0.75 for dwellings	0.835
Thermo-Loc Platinum+ (50 mm width, single profile)			0.854
Thermo-Loc Platinum+ (105 mm width, double profiles)			0.852
Thermo-Loc Platinum+ FX (50 mm width, single profile)			0.855
Thermo-Loc Platinum+ FX (105 mm width, double profiles)			0.852

(1) The modelling was based on the following construction and an adiabatic boundary at the window frame location, set back 30 mm into the wall cavity:

- 102.5 mm standard brickwork ($\lambda = 0.77 \text{ W}\cdot\text{m}^{-1}\cdot\text{K}^{-1}$)
- full fill insulation in the cavity ($\lambda_D = 0.034 \text{ W}\cdot\text{m}^{-1}\cdot\text{K}^{-1}$)
- 100 mm Aircrete block ($\lambda = 0.15 \text{ W}\cdot\text{m}^{-1}\cdot\text{K}^{-1}$)
- uPVC extrusion ($\lambda = 0.13 \text{ W}\cdot\text{m}^{-1}\cdot\text{K}^{-1}$)
- 15 mm dense plaster ($\lambda = 0.25 \text{ W}\cdot\text{m}^{-1}\cdot\text{K}^{-1}$)
- air cavity for FX series only ($\lambda = 0.124 \text{ W}\cdot\text{m}^{-1}\cdot\text{K}^{-1}$)
- 20 to 25 mm thick EPS insulation within cavity closer ($\lambda_D = 0.031 \text{ W}\cdot\text{m}^{-1}\cdot\text{K}^{-1}$).

3.1.2 On the basis of data assessed, the constructions in Table 2 can contribute to limiting the risk of local surface condensation. The performance of other junctions must be determined in accordance with the requirements of the documents supporting the national Building Regulations.

3.1.3 Under normal domestic conditions, the level of interstitial condensation associated with the products will be low and the risk of any resultant damage minimal.

3.2 Weathertightness

3.2.1 The products are effective as a vertical damp-proof barrier at jambs of window and door openings in masonry constructions where a brick/block closer and damp-proof course (DPC) detail would normally be used. The products are also effective as a horizontal damp-proof barrier at the sill.

3.2.2 In installations with a flush (in-line) wall opening and a minimum window setback of 30 mm, the products are suitable for use in exposure zones 1 'sheltered'⁽¹⁾, 2 'moderate'⁽¹⁾ and 3 'severe'⁽¹⁾. The closers may also be considered suitable for use in other locations where a conventional return brick/block closer detail with a DPC has been found to provide adequate resistance to the penetration of wind-driven rain.

(1) As depicted in the map shown in BRE Report BR 262 : 2002, Section 3.1.

3.2.3 The products can be used to construct a check reveal (see Figures 5 and 6). In this construction, in which the window frame is positioned in a rebate behind the outer leaf of the jamb, the products are suitable for use in exposure zones up to and including zone 4 'very severe'⁽¹⁾, which covers all exposure zones in the United Kingdom.

(1) As depicted in the map shown in BRE Report BR 262 : 2002, Section 3.1.

4 Safety and accessibility in use

Not applicable.

5 Protection against noise

Not applicable.

6 Energy economy and heat retention

Data were assessed for the following characteristics.

6.1 Thermal conductivity

Table 3 Thermal conductivity (λ_D) of the EPS insulation core

Component assessed	Assessment method	Requirement	Thermal conductivity (λ_D)
EPS core	BS EN 13163 : 2012	Declared value	0.031W·m ⁻¹ ·K ⁻¹

6.2 Thermal performance

6.2.1 Example junctions incorporating the products, using the core insulation conductivity in Table 3, were assessed for linear thermal transmittance and the results are given in Table 4.

Table 4 Linear thermal transmittance⁽¹⁾

Product assessed	Assessment method	Requirement	Result - heat loss rates ψ -values (psi)
Thermo-Loc Platinum Multi (100 mm width)	BS EN ISO 10211 : 2017, BRE Report BR 497 : 2016 and BRE IP 1/06	Value achieved	0.046 W·m ⁻¹ ·K ⁻¹
Thermo-Loc Platinum+ (50 mm width, single profile)			0.040 W·m ⁻¹ ·K ⁻¹
Thermo-Loc Platinum+ (105 mm width, double profiles)			0.048 W·m ⁻¹ ·K ⁻¹
Thermo-Loc Platinum+ FX (50 mm width, single profile)			0.042 W·m ⁻¹ ·K ⁻¹
Thermo-Loc Platinum+ FX (105 mm width, double profiles)			0.048 W·m ⁻¹ ·K ⁻¹

(1) The modelling was based on the following construction and an adiabatic boundary at the window frame location, set back 30 mm into the wall cavity:

- 102.5 mm standard brickwork ($\lambda = 0.77 \text{ W}\cdot\text{m}^{-1}\cdot\text{K}^{-1}$)
- full filled insulation in the cavity ($\lambda_D = 0.034 \text{ W}\cdot\text{m}^{-1}\cdot\text{K}^{-1}$)
- 100 mm Aircrete block ($\lambda = 0.15 \text{ W}\cdot\text{m}^{-1}\cdot\text{K}^{-1}$)
- uPVC extrusion ($\lambda = 0.13 \text{ W}\cdot\text{m}^{-1}\cdot\text{K}^{-1}$)
- 15 mm dense plaster ($\lambda = 0.25 \text{ W}\cdot\text{m}^{-1}\cdot\text{K}^{-1}$)
- air cavity for FX series only ($\lambda = 0.124 \text{ W}\cdot\text{m}^{-1}\cdot\text{K}^{-1}$)
- 20 to 25 mm thick EPS insulation within cavity closer ($\lambda_D = 0.031 \text{ W}\cdot\text{m}^{-1}\cdot\text{K}^{-1}$).

6.2.2 On the basis of data assessed, the constructions given in Table 4 can contribute to limiting heat loss.

6.2.3 The performance of other junctions must be determined in accordance with BS EN ISO 10211 : 2017 and BRE Report BR 497 : 2016, or the default junction performances permitted in the relevant national Building Regulations guidance must be adopted.

7 Sustainable use of natural resources

The PVC-U profiles of the products can be recycled.

8 Durability

8.1 The potential mechanisms for degradation and the known performance characteristics of the materials in the products were assessed.

8.2 Specific test data were assessed as given in Table 5.

Table 5 Durability

Component assessed	Assessment method	Requirement	Result
UPVC profiles for Platinum Multi, Platinum+ and Platinum+ FX	BS EN 478 : 1999	Visual inspection No blisters, cavities or delamination	Pass

8.3 Service life

Under normal service conditions, the products will have a life equivalent to the building in which they are installed, provided they are designed and installed in accordance with this Certificate and the Certificate holder's instructions.

Information provided by the Certificate holder was assessed for the following factors:

9 Design, installation, workmanship and maintenance

9.1 Design

9.1.1 The design process was assessed by the BBA, and the following requirements apply in order to satisfy the performance specified in this Certificate.

9.1.2 The products provide a damp-proof barrier between the inner and outer leaves at point of closure, acts as a cavity closer without forming a thermal bridge, and avoids the need for cutting bricks and blocks.

9.1.3 Masonry walls into which cavity closers are incorporated must be constructed in accordance with the national Building Regulations and one or more of the following technical specifications:

- BS 8000-0 : 2014
- BS 8000-3 : 2020
- BS EN 1996-1-1 : 2005 and its UK National Annex
- BS EN 1996-1-2 : 2005 and its UK National Annex
- BS EN 1996-2 : 2006 and its UK National Annex
- BS EN 1996-3 : 2006 and its UK National Annex
- PD 6697 : 2019.

9.1.4 The products are non-loadbearing, and window and door frames must be fixed independently to the masonry. Proprietary window and door frame fixings, which may be recommended by the Certificate holder for this purpose, are outside the scope of this Certificate. Lintels are required above window or door openings.

9.2 Installation

9.2.1 Installation instructions provided by the Certificate holder were assessed and judged to be appropriate and adequate.

9.2.2 Installation must be carried out in accordance with this Certificate and the Certificate holder's instructions.

9.2.3 When installing the products with single profile, the exposed edge of the insulation should be positioned against the inner leaf. To help maintain DPC protection around the aperture. When installing the products with double profile, the product can be positioned either way round between the inner and outer leaf as the product is symmetrical.

9.2.4 The products are cut to the required lengths, allowing the jamb section to overlap the sill section by cutting away parts of the UPVC profile and butting to the underside of the lintel.

9.2.5 The products are pushed into the open cavity after building work is complete. The compressible nature of the exposed insulation material is used to create a friction fit in the cavity, or alternatively the insulation can be trimmed to fit using a sharp knife.

9.2.6 Cavity insulation should butt tightly to the cavity closer.

9.2.7 The Certificate holder recommends that Platinum+ FX is secured to the masonry mortar beds with polypropylene ties (outside the scope of this Certificate) for first fix application.

9.2.8 Fixing nails to the flanges are recommended to ensure a secure fit for first and second fix applications.

9.2.9 When used in jambs and sills with the window/door frame, attention must be given to the correct setback of 30 mm or more into the wall cavity.

9.2.10 Door frames installed with proprietary fixings which cannot be set back into the wall cavity by 30 mm may require additional thermal insulation (for example, dry lining) to minimise excessive heat loss and the risk of excessive surface condensation.

9.2.11 The junctions between the wall and the front and back of the window/door frame must be effectively sealed. Detailed guidance on limiting heat loss and air filtration can be found in the documents supporting the national Building Regulations.

9.3 Workmanship

To achieve the performance described in this Certificate, installation of the products must be carried out by a competent general builder, or a contractor, experienced with these types of products.

9.4 Maintenance and repair

To ensure the maximum weathertightness, the flexible seal between window or door frames and masonry must be checked regularly and repairs or renewal carried out promptly.

10 Manufacture

10.1 The production processes for the products have been assessed, and provide assurance that the quality controls are satisfactory according to the following factors:

10.1.1 The manufacturer has provided documented information on the materials, processes, testing and control factors.

10.1.2 The quality control operated over batches of incoming materials has been assessed and deemed appropriate and adequate.

10.1.3 The quality control procedures and product testing to be undertaken have been assessed and deemed appropriate and adequate.

10.1.4 The process for management of non-conformities has been assessed and deemed appropriate and adequate.

10.1.5 An audit of each production location was undertaken, and it was confirmed that the production process was in accordance with the documented process, and that equipment has been properly tested and calibrated.

† 10.2 The BBA has undertaken to review the above measures on a regular basis through a surveillance process, to verify that the specifications and quality control operated by the manufacturer are being maintained.

11 Delivery and site handling

11.1 The Certificate holder stated that products are delivered to site packed in polythene sleeves. Each pack carries an instruction leaflet bearing the Certificate holder's name and the BBA logo incorporating the number of this Certificate.

11.2 Packs of cavity closer profiles must be stored flat, under cover in a clean area away from direct sunlight and excessive heat, and supported along their length to prevent distortion or damage. Profiles must be protected from vehicular and pedestrian traffic.

Supporting information in this Annex is relevant to the products but has not formed part of the material assessed for the Certificate.

Construction (Design and Management) Regulations 2015

Construction (Design and Management) Regulations (Northern Ireland) 2016

Information in this Certificate may assist the client, designer (including Principal Designer) and contractor (including Principal Contractor) to address their obligations under these Regulations.

Management Systems Certification for production

The management system of the manufacturer has been assessed and registered as meeting the requirements of ISO 9001 : 2015 and ISO 14001: 2015 by QMS International Ltd (Certificate 402512022).

Bibliography

- BRE Information Paper IP 1/06 *Assessing the effects of thermal bridging at junctions and around openings.*
- BRE Report BR 262 : 2002 *Thermal insulation: avoiding risks*
- BRE Report BR 497 : 2016 *Conventions for calculating linear thermal transmittance and temperature factors*
- BS 8000-0 : 2014 *Workmanship on construction sites — Introduction and general principles*
- BS 8000-3 : 2020 *Workmanship on sites — Code of practice for masonry*
- BS EN 478 : 1999 *Unplasticized polyvinylchloride (PVC-U) profiles for the fabrication of windows and doors*
- BS EN 1996-1-1 : 2005 + A1 : 2012 *Eurocode 6 : Design of masonry structures — General rules for reinforced and unreinforced masonry structures*
- NA to BS EN 1996-1-1 : 2005 + A1 : 2012 *UK National Annex to Eurocode 6 : Design of masonry structures — General rules for reinforced and unreinforced masonry structures*
- BS EN 1996-1-2 : 2005 *Eurocode 6 : Design of masonry structures — General rules — Structural fire design*
- NA to BS EN 1996-1-2 : 2005 *UK National Annex to Eurocode 6 : Design of masonry structures — General rules — Structural fire design*
- BS EN 1996-2 : 2006 *Eurocode 6 : Design of masonry structures — Design considerations, selection of materials and execution of masonry*
- NA to BS EN 1996-2 : 2006 *UK National Annex to Eurocode 6 : Design of masonry structures — Design considerations, selection of materials and execution of masonry*
- BS EN 1996-3 : 2006 *Eurocode 6 : Design of masonry structures — Simplified calculation methods for unreinforced masonry structures*
- NA to BS EN 1996-3 : 2006 *UK National Annex to Eurocode 6 : Design of masonry structures — Simplified calculation methods for unreinforced masonry structures*
- BS EN 13163 : 2012 + A2 : 2016 *Thermal insulation products for buildings — Factory made expanded polystyrene (EPS) products — Specification*
- BS EN 13501-1 : 2018 *Fire classification of construction products and building elements*
- BS EN ISO 10211 : 2017 *Thermal bridges in building construction — Heat flows and surface temperatures — Details calculations*
- ISO 9001 : 2015 *Quality management systems — Requirements*
- ISO 14001 : 2015 *Environmental management systems — Requirements with guidance for use*
- PD 6697 : 2019 *Recommendations for the design of masonry structures to BS EN 1996-1-1 and BS EN 1996-2*

Conditions of Certificate

Conditions

1 This Certificate:

- relates only to the product that is named and described on the front page
- is issued only to the company, firm, organisation or person named on the front page – no other company, firm, organisation or person may hold or claim that this Certificate has been issued to them
- has to be read, considered and used as a whole document – it may be misleading and will be incomplete to be selective
- is copyright of the BBA
- and any matter arising out of or in connection with it or its subject matter (including non-contractual disputes or claims) is governed by and construed in accordance with the law of England and Wales.
- the courts of England and Wales shall have exclusive jurisdiction to settle any matter arising out of or in connection with this Certificate or its subject matter (including non-contractual disputes or claims).

2 Publications, documents, specifications, legislation, regulations, standards and the like referenced in this Certificate are those that were current and/or deemed relevant by the BBA at the date of issue or reissue of this Certificate.

3 This Certificate will be displayed on the BBA website, and the Certificate Holder is entitled to use the Certificate and Certificate logo, provided that the product and its manufacture and/or fabrication, including all related and relevant parts and processes thereof:

- are maintained at or above the levels which have been assessed and found to be satisfactory by the BBA
- continue to be checked as and when deemed appropriate by the BBA under arrangements that it will determine
- are reviewed by the BBA as and when it considers appropriate.

4 The BBA has used due skill, care and diligence in preparing this Certificate, but no warranty is provided.

5 In issuing this Certificate the BBA is not responsible and is excluded from any liability to any company, firm, organisation or person, for any matters arising directly or indirectly from:

- the presence or absence of any patent, intellectual property or similar rights subsisting in the product or any other product
- the right of the Certificate holder to manufacture, supply, install, maintain or market the product
- actual installations of the product, including their nature, design, methods, performance, workmanship and maintenance
- any works and constructions in which the product is installed, including their nature, design, methods, performance, workmanship and maintenance
- any loss or damage, including personal injury, howsoever caused by the product, including its manufacture, supply, installation, use, maintenance and removal
- any claims by the manufacturer relating to UKCA marking and CE marking.

6 Any information relating to the manufacture, supply, installation, use, maintenance and removal of this product which is contained or referred to in this Certificate is the minimum required to be met when the product is manufactured, supplied, installed, used, maintained and removed. It does not purport in any way to restate the requirements of the Health and Safety at Work etc. Act 1974, or of any other statutory, common law or other duty which may exist at the date of issue or reissue of this Certificate; nor is conformity with such information to be taken as satisfying the requirements of the 1974 Act or of any statutory, common law or other duty of care.

British Board of Agrément

1st Floor, Building 3, Hatters Lane
Croxley Park, Watford
Herts WD18 8YG

©2025

tel: 01923 665300
clientservices@bbacerts.co.uk
www.bbacerts.co.uk