



by **timloc**

# INTERLOCKING PLAIN VERGE DATASHEET

## Universal Dry Fix Verge System for Interlocking Plain Roof Tiles

### Use

- Developed for Interlocking Plain concrete tiles.
- Suitable for most pitched roof types from 15-55°.
- Verges with or without bargeboards.
- New build and refurbishment projects.

### Features & Benefits

- Universal installation – LH & RH sides are interchangeable.
- Long lasting, reliable, and virtually maintenance free.
- Protects against wind uplift, water ingress & general deterioration.
- Easy, fast, clean and generally safer mortar free installation.
- Allows virtually all-weather installation.
- Strong but supple for easy flexing and sliding along the tiles.
- Secure fit around the tile reassurance.
- Maintains consistently smart appearance.
- Not impacted by building settlement.
- Meets mechanical fix legislation requirements.
- The system also offers a unique steel fixing bracket option that presents flexible fixing points for use with alternative size counter battens or straight onto tile batten ends. The bracket avoids the reliance of end grain fixing, which can cause splitting and consequential damp penetration issues.

### Quality

- Helping to meet BS 5534 Code of practice for slating and tiling.
- Complies with all other relevant regulations and standards.
- Manufactured to BS EN ISO 9001 and BS EN ISO 14001.
- Independently tested and complies with BS8612.

### Material & Colour

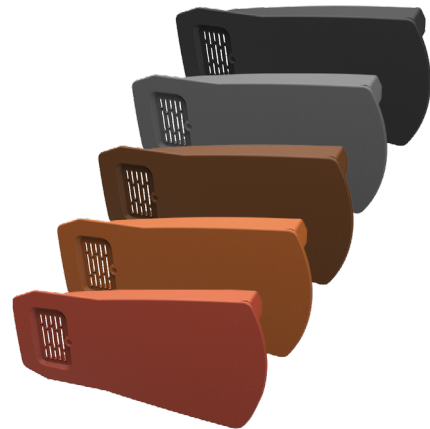
- UV protected and colour fast polypropylene.
- Galvanised steel batten end bracket (optional).
- Available in grey, terracotta, brown, red and black.

### Products in the System

- Interlocking Plain Tile Verge.
- Interlocking Plain Tile Verge starter.
- Half round ridge (apex) end cap.
- Angled ridge (apex) end cap.
- End grain batten bracket (optional).

### How to Order

- Select the relevant verge system colour for the project.
- 1 verge piece is required for each roof tile in the sloping run.
- Select the ridge shape for the apex of the system – angled or round.
- Eaves starter must be installed at the beginning of each sloping run.
- 1 optional end grain batten bracket is required for each verge piece installed in the sloping run.



**Interlocking Plain Tile Dry Verge Piece (Universal)**



**Universal Dry Fix Half Round Ridge End Cap**



**Universal Dry Fix Angled Ridge End Cap**



**Interlocking Plain Eaves Starter**



**End Grain Batten Bracket**

## Environmental Product Declaration

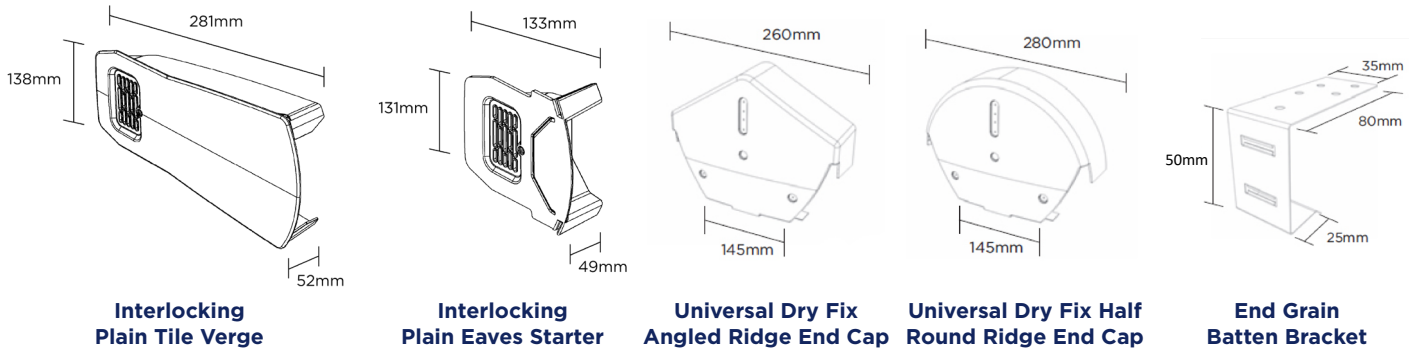
A quantification of environmental information regarding the life cycle of the Interlocking Plain Tile Dry Verge. GWP total is for production stages A1-A3. Verified in accordance with ISO 14025. View the full EPD at [timloc.co.uk](http://timloc.co.uk).

Product	EPD Reference	EPD Mass (KG)	GWP A1-A3 (KG CO <sub>2</sub> e)
Verge	EPD HUB, HUB-2425	0.15	6.57E-02
Starter	EPD HUB, HUB-2425	0.074	3.24E-02
Half Round Ridge End Cap	EPD HUB, HUB-2425	0.255	1.12E-01
Angled Ridge End Cap	EPD HUB, HUB-2425	0.255	1.12E-01

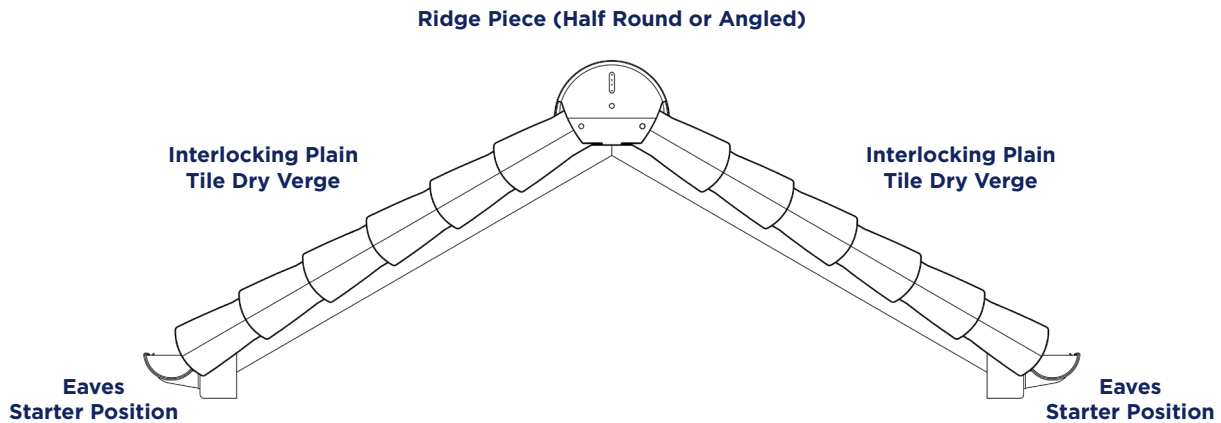
## Installation Advice

- Please refer to [timloc.co.uk](http://timloc.co.uk) for full recommended installation guidance

## Product Dimensions



## Product Detail



## Product Codes

Description	Pack Qty	Grey Product Codes	Brown Product Codes	Black Product Codes	Terracotta Product Codes	Red Product Codes	Lead Time
Interlocking Plain Tile Dry Fix Verge	40	99174	99176	99173	99175	99182	Next Working Day
Interlocking Plain Tile Verge Starter	10	99178	99180	99177	99179	99181	Next Working Day
Universal dry fix angled ridge end cap	10	99109	99108	99107	99110	99183	Next Working Day
Universal dry fix half round ridge end cap	10	99113	99112	99136	99114	99184	Next Working Day
Dry verge profiled tile end grain batten bracket (optional)	20	99124	99124	99124	99124	99124	Next Working Day