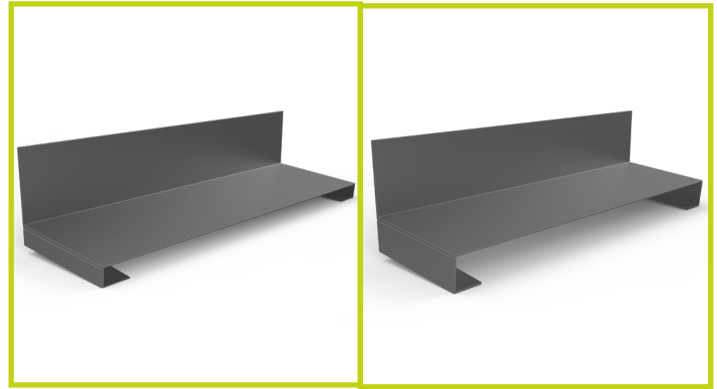




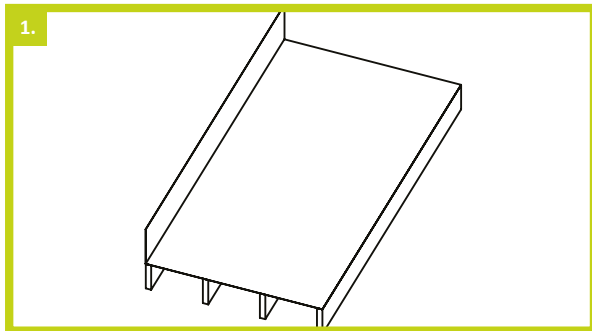
## Installation Guide Thin Leading Edge & Flat Ambi-Soakers

Universal dry fix abutment soaker for thin leading edge and flat interlocking concrete tiles providing a robust, discreet, alternative to lead soakers.

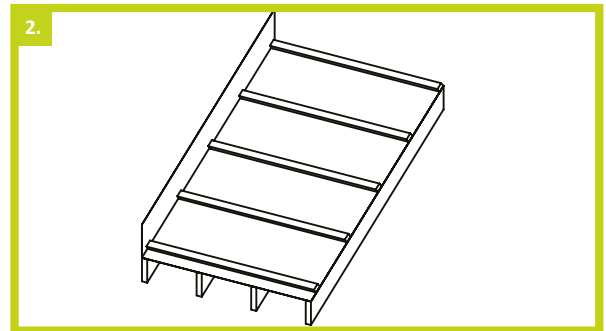


Grey  
AS-TLE

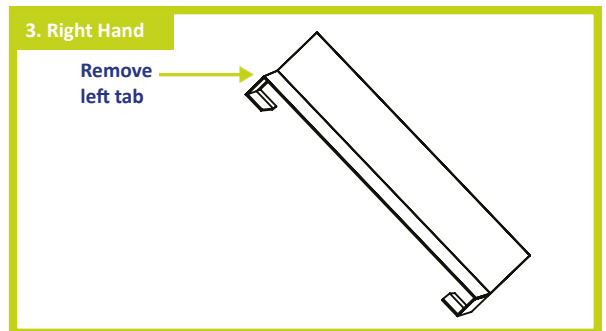
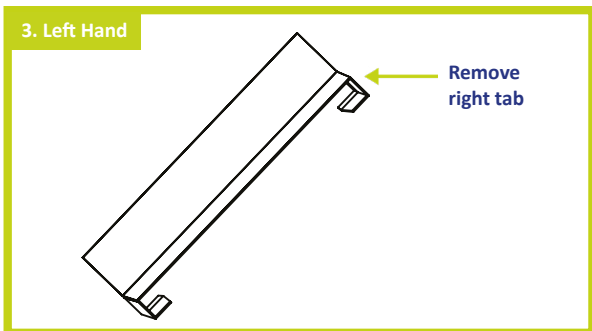
Grey  
AS-Flat



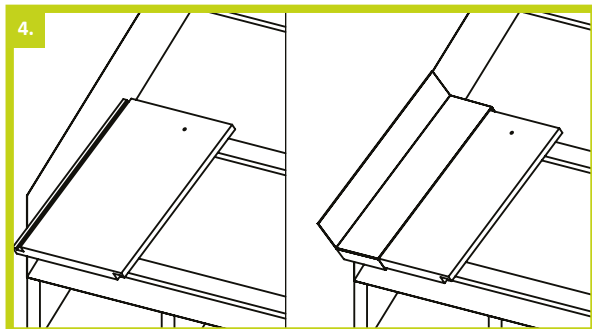
1. Fit the underlay to the roof surface ensuring that it is turned upwards by at least 100mm along the entire wall abutment following all manufacturers guidance.



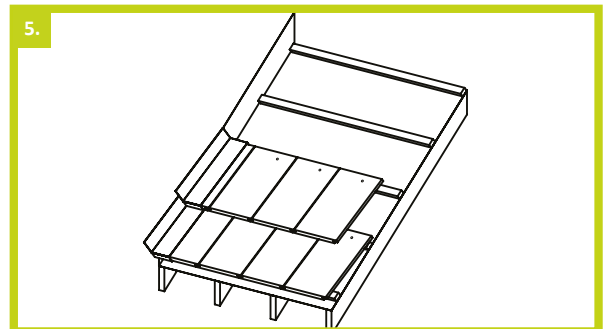
2. Attach the tile battens to the roof leaving a small 10mm gap between the end of each batten and the abutment wall to ensure the underlay is not damaged by the batten ends.



3. Take the first soaker unit and determine which of the two fixing tabs to remove to allow either a Left-Hand or Right-Hand installation. Using a suitable set of roofing shears, cut away the downhill side tab along the indented line at the lower edge of the soaker.

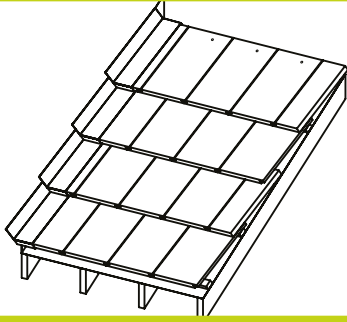


4. Position and nail fix the first tile onto the batten. Now fit the soaker onto the tile. Ensure that the top edge of the soaker is flush to the abutment wall and the fixing tab is fully located onto the front edge of the tile. Then continue fitting tiles along the first course in accordance with the tile manufacturers installation guidance.



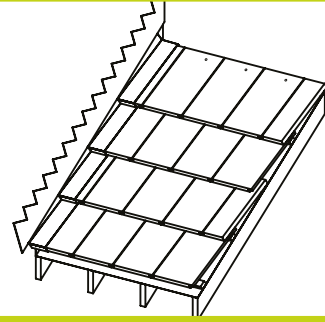
5. Position and nail fix the first tile on the second course. Then trim the tab off the second soaker and fit it onto the tile. Now continue tiling along the second course as before.

6.



6. Continue the trimming and fitting process for each tile course up the roof.

7.



7. Once the entire run is complete, dress the abutment flashing down over the Ambi-Soaker units. For high exposure or areas with a risk of debris blockage – a step and cover flashing should be used. Refer to any relevant installation guidance from the Lead Sheet Association.