



INSTALLATION GUIDE

Universal Dry Fix Abutment Soaker for Slates



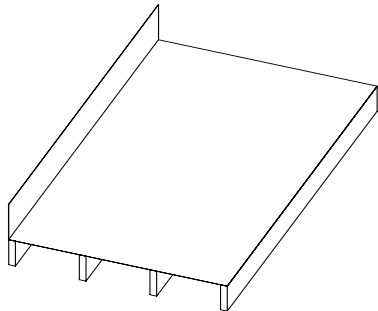
AS-SLATE

✓ Manufactured to BS EN ISO 9001 and BS EN ISO14001

✓ Complies with all relevant sections of the Building Regulations

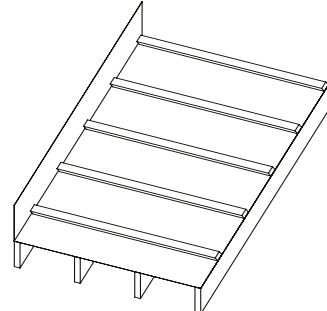
✓ Satisfies all relevant NHBC requirements

Universal dry fix abutment soaker for small or large slates providing a robust, discreet, alternative to lead soakers.



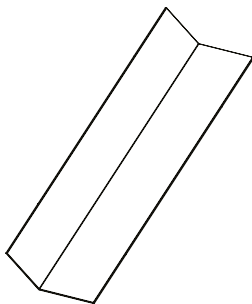
1.

Fit the underlay to the roof surface ensuring that it is turned upwards by at least 100mm along the entire wall abutment following all manufacturers guidance.



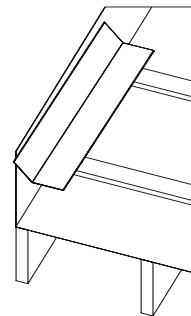
2.

Attach tile battens to the roof leaving a small 10mm gap between the end of each batten and the abutment wall to ensure the underlay is not damaged by the batten ends.



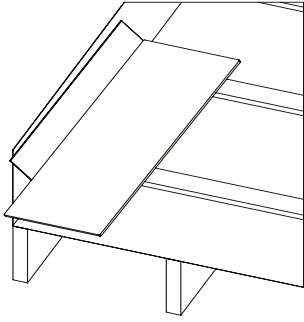
3.

If required the slate soaker can be trimmed to length to accommodate smaller slate sizes. It may help to score the cut line with a knife before cutting to ensure a neat and accurate edge.



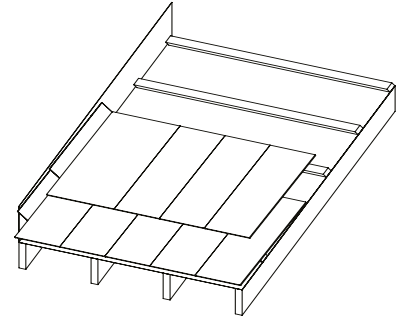
4.

Now position the first soaker in the run onto the batten. Ensure that the top edge of the soaker is flush to the abutment wall and the top edge of the soaker lines up with the first slate to be fitted. If required the soaker can be nailed/stapled to the battens.



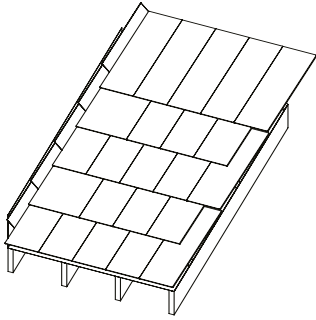
5.

Then fit and nail the first slate over the soaker and continue fitting slates along the first course in accordance with the slate manufacturers installation guidance.



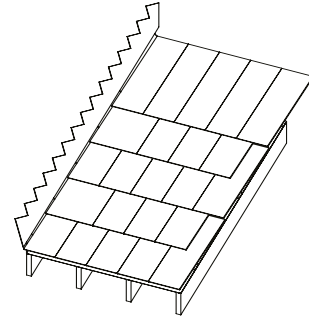
6.

Fit the second soaker on top of the first tile to begin the second tile course. Now continue tiling along the second course as before.



7.

Continue the trimming and fitting process for each tile course up the roof.



8.

Once the entire run is complete, dress the abutment flashing down over the Ambi-Soaker units. For high exposure or areas with a risk of debris blockage - a step and cover flashing should be used. Refer to any relevant installation guidance from the Lead Sheet Association.



Scan or click to view product datasheet