



INSTALLATION GUIDE

Universal Dry Fix Abutment Soaker for Plain & Interlocking Plain Tiles

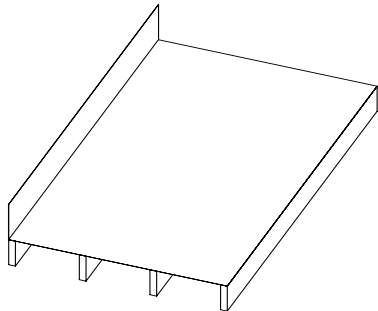


Manufactured to BS EN ISO 9001 and BS EN ISO14001

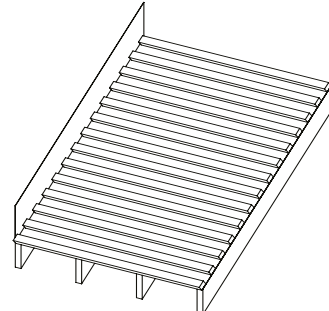
Complies with all relevant sections of the Building Regulations

Satisfies all relevant NHBC requirements

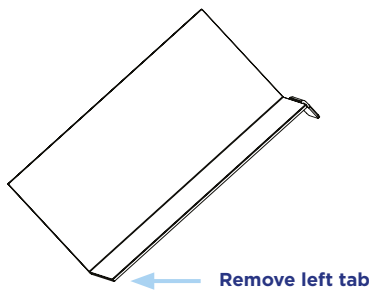
Universal dry fix abutment soaker for plain or interlocking plain tiles providing a robust, discreet, alternative to lead soakers.



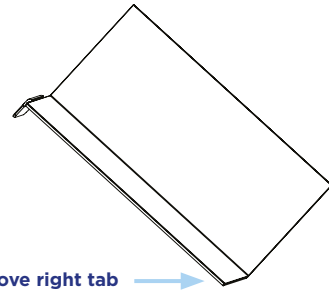
1. Fit the underlay to the roof surface ensuring that it is turned upwards by at least 100mm along the entire wall abutment following all manufacturers guidance.



2. Attach tile battens to the roof leaving a small 10mm gap between the end of each batten and the abutment wall to ensure the underlay is not damaged by the batten ends.

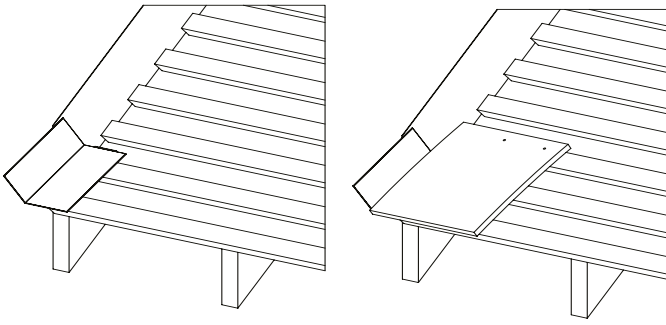


Left Hand



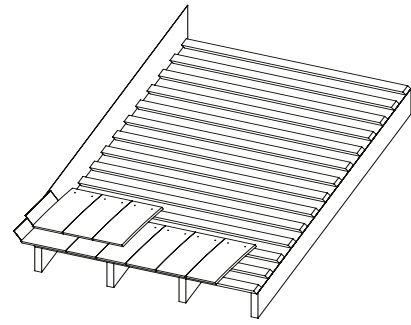
Right Hand

3. Take the first soaker unit and determine which of the two fixing tabs to remove to allow either a Left-Hand or Right-Hand installation. Using a suitable set of roofing shears, cut away the downhill side tab along the indented line at the lower edge of the soaker.



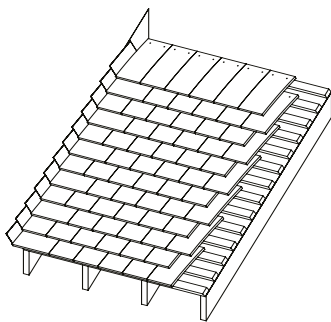
4.

Now position the first soaker in the run onto the batten. Ensure that the top edge of the soaker is flush to the abutment wall and the fixing tab is securely located over the top edge of the batten. Then fit and nail the first tile over the soaker and continue fitting tiles along the first course in accordance with the tile manufacturers installation guidance.



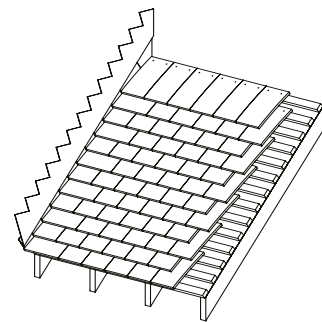
5.

Trim the tab off the second soaker then fit it on top of the first tile to begin the second tile course. Now continue tiling along the second course as before.



6.

Continue the trimming and fitting process for each tile course up the roof.



7.

Once the entire run is complete, dress the abutment flashing down over the Ambi-Soaker units. For high exposure or areas with a risk of debris blockage – a step and cover flashing should be used. Refer to any relevant installation guidance from the Lead Sheet Association.

Scan or click to view AS-PLAIN product datasheet



Scan or click to view AS-INTPLAIN product datasheet

