

# RAD-SEAL 15

by **timloc**

Face-fix radiator pipe guide and seal designed to eliminate potential air leakage and heat loss at vulnerable through-wall radiator pipework entry points

## Use

- At the point of entry of through-wall **15mm** plastic radiator pipework
- Within all wall constructions that present a concealed pipe void including:
  - Studded dry lined walls
  - Plaster dab slab walls

## Features and Benefits

- Contributes to Part L's required air leakage performance
- Protects the pipework and plaster from direct chafing
- Straight-forward and quick face fix installation
- Projects by just 23.5mm from the wall
- Securely positions the pipework into the required direction for connection
- Eliminates pipework kinking
- Patent-pending design
- Made from 100% recycled material

## Quality

- Manufactured to BS EN ISO 9001 and BS EN ISO 14001
- Helps to meet:
  - Building Regulation Document Part L - Conservation of Fuel and Power

## Material and Colour Choice

- Main unit body - white recycled Polypropylene
- Gasket seal entry and seals - recycled Thermoplastic Elastomer

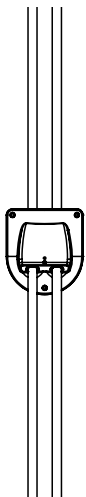
## Installation Advice

- Please refer to [www.timloc.co.uk](http://www.timloc.co.uk) for full recommended installation guidance

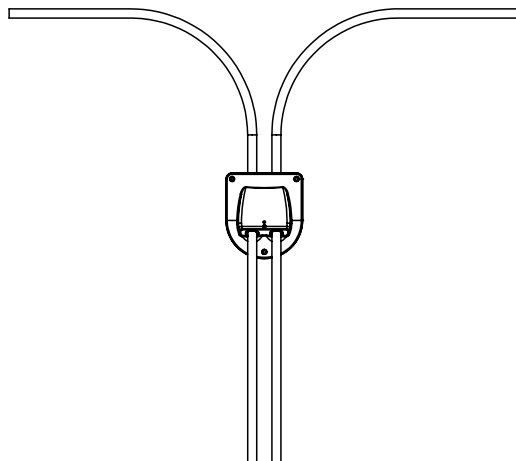
## Technical Considerations

- Accepts routed pipework from:

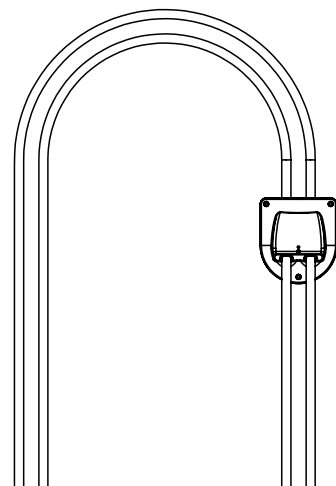
### A. Ground floor routing



### B. Horizontal routing

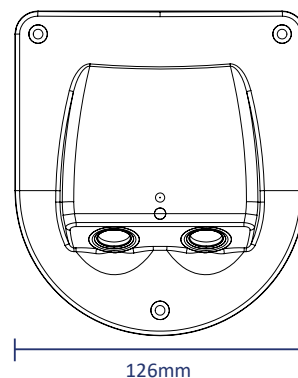


### C. Upper floor routing

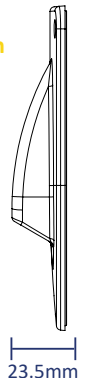


ALSO  
AVAILABLE  
FOR 10MM  
PIPEWORK

Front  
elevation



Side  
elevation



## Product Code

Description	Height	Width	Box Qty	Product Code
Rad-Seal Face-Fix 15mm	140mm	126mm	20	2222