

# 6M DRY FIX CLAY RIDGE KIT INSTALLATION ADVICE

**A robust, attractive and weather resistant verge system alternative to wet mortar bedding.**



- 

Helps to meet BS 5534 for slating and tiling
- 

Helps to meet BS 5250 for control of condensation in buildings
- 

Complies with all relevant Building Regulations
- 

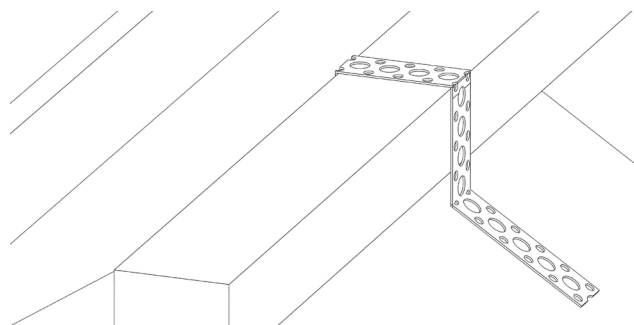
Independently tested and complies with BS 8612



**1.**

Apply the roofing underlay as normal practice leaving a gap of approximately 30mm short of the apex at both sides to allow for ventilation.

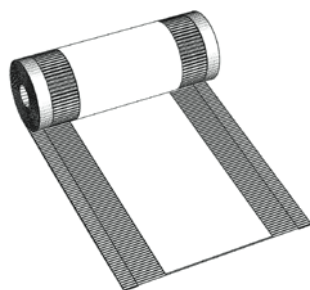
- a.** Fix the battens as required, omitting the top course at this stage to allow for the ridge batten bracket fixing.



**2.**

Span lengths of ridge batten along the roof apex and nail in place.

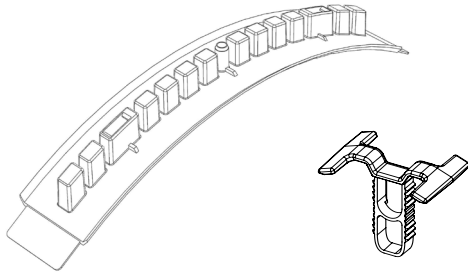
- a.** Level the ridge batten and final secure fix with the metal batten straps provided. Fix and fold strap over ridge batten and secure to rafters at both sides of ridge.



**3.**

Lay out the roll evenly along the centre of the ridge batten and tack into position as the work proceeds using suitable roofing grade nails at rafter centre intervals. A minimum overlap of 100mm is required when starting a fresh roll along the ridge length.

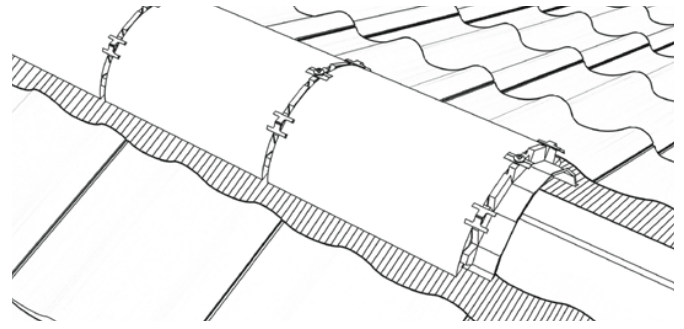
- a.** The butyl securing tape to the underside of the corrugated edge should be applied as work proceeds by removing the release paper and pressing the tape into the tile profile. Check the surface is free of debris and water prior to application.
- b.** Ensure that a full seal along the ridge length at both sides is achieved.



**4.**

Place the ridge tiles along the ridge and join using the ridge union and clips provided.

- a. The ridge union clips are loosely clipped into the ridge union and offered up to the ridge tile. Once in position the clip can be pushed into place to contact ridge tile surface for a good fit.



**5.**

Position the adjacent ridge tile and then securely fix the screw and metal clamping plate through the top hole in the ridge union and into the ridge batten.

- a. Repeat this process for each ridge tile as work proceeds.
- b. The end ridge tiles require a mechanical fixing at both ends of the tile. To create the secondary mechanical fixing, drill through the end of the tile, then screw down through the hole and into the ridge batten.

Scan or click to view product datasheet

