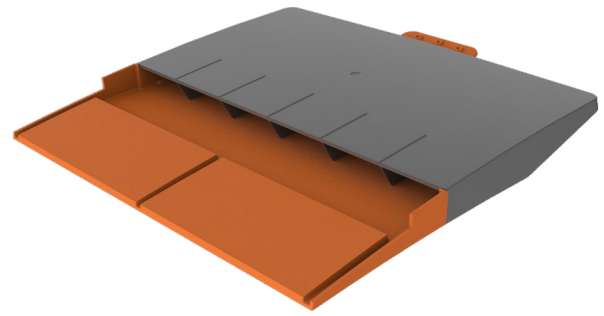


INVENTIVE

Roof ventilation solutions


INSTALLATION GUIDE


Low Profile Plain Tile Vent



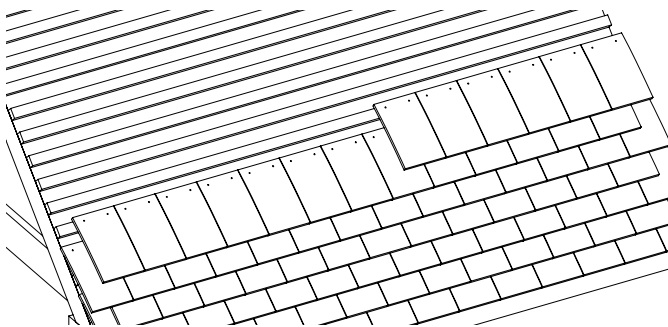
RTV-SLIPTE

bre Independently tested by BRE for deluge and wind driven rain to PD CEN/ TR15601:2012

 BS EN 490:2011 Concrete roofing tiles and fittings for roof covering and wall cladding, product specifications (+A1:2017)

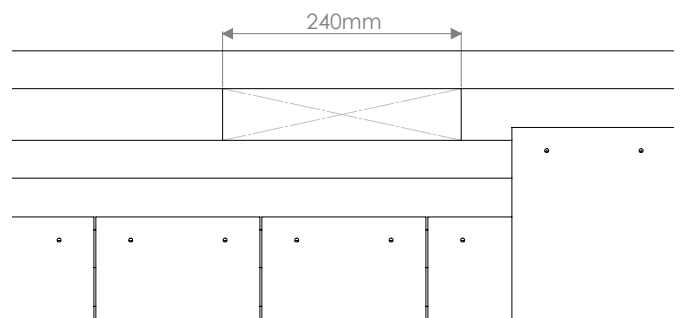
 BS 5250: 2021 Management of moisture in buildings - Code of practice

Plain roof tile vent to enable ventilation directly into a roof space or connect to a ducted ventilation system.



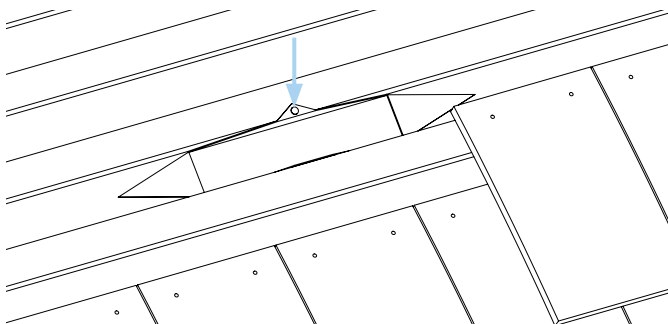
1.

Install the roof tiles up to the tile space where the vent is required.



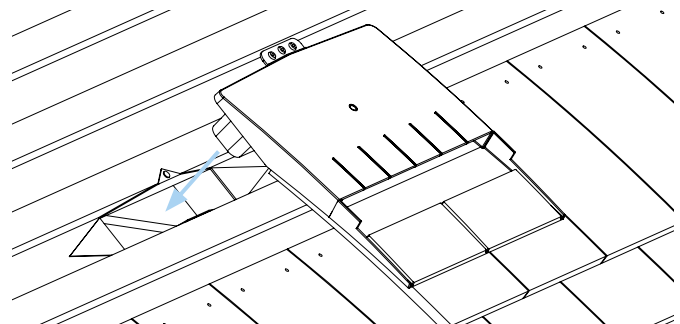
2.

Mark out a rectangular area on the underlay between the battens. Now mark a cross shape through the centre of the rectangular area to guide when cutting the underlay. (Minimum batten gauge 88mm when using 38mm battens).



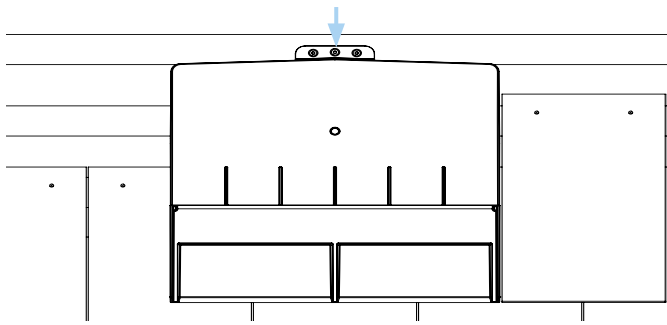
3.

Cut along the diagonal cross shape lines then fold back the triangular flaps of the underlay to show the rectangular opening then fold the top tab tight against the batten and secure in place with a nail or staple.



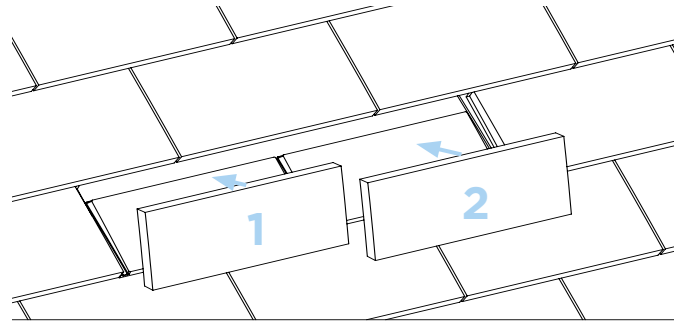
4.

Insert the tile vent through the cut hole in the underlay. Ensure that the base spigot of the vent passes through fully without snagging the edges of the underlay.



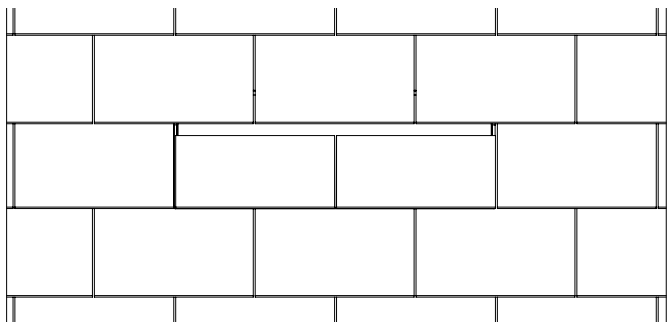
5.

Use roof tile nails to secure the tile vent to the batten through the raised centre hole. Alternative holes are provided to the left and right if required.



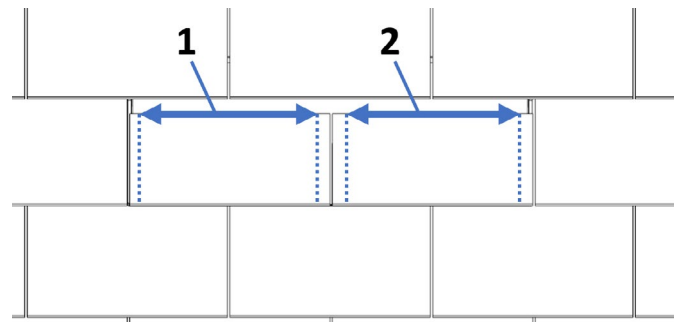
6.

Cut two matching 75mm length pieces of plain tile.



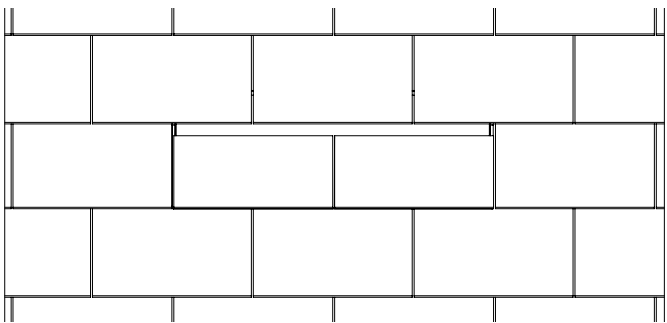
7.

Fix each piece to the tile vent using a construction grade adhesive compatible with PP plastics and textured roof tiles. E.g. "CT1 Adhesive & Sealant" or a technically equivalent product. The surface underneath the tile pieces can be keyed or roughened if required to improve adhesion.



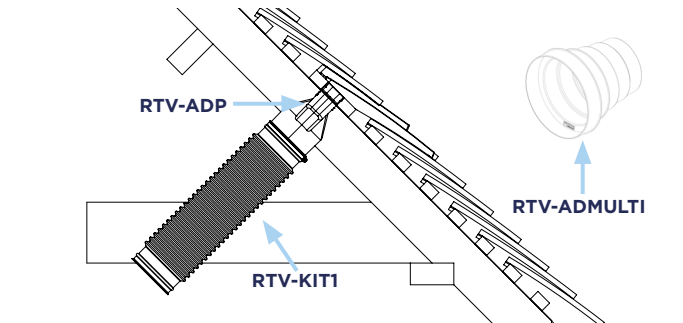
8.

After the tile pieces are securely fixed, run two short additional beads of the adhesive along the top edges of the two tile pieces. Ensure that the left, centre and right drain channels on the vent are not blocked with adhesive.



9.

Now attach any manufacturer recommended tile clips onto the tile vent if required then continue with the main roof tile installation.



10.

To connect the tile vent to a mechanical ventilation system or soil stack connect ductwork via the **RTV-ADP** 110mm duct adapter or via the **RTV-KIT3** 110mm Flexi-Pipe kit. The **RTV-ADMULTI** stepped duct adapter can also be used and cut to size to accommodate various duct diameters.

Roof Slate Vent Spacing Requirements

- To achieve an equivalent continuous opening of 5mm - space at 1,220mm.
- To achieve an equivalent continuous opening of 10mm - space at 610mm.
- To achieve an equivalent continuous opening of 25mm - space at 240mm.

Roof Tile Vent Installation Advice

- The tile vents are compatible with roof pitches of 35° or above.
- The maximum tile headlap is 100mm.
- The tile vents provide 6,100mm² free ventilation area per unit.
- Using the RTV-ADP plain adapter does not reduce the free ventilation area.
- If you wish to place the tile vent at high level the tile vent must not be situated on the tiling course directly below the ridge tiles.
- The tile vents must not be used to provide exhaust for hot gases.
- Any ductwork that is connected to the tile vent running through the loft or other unheated space must be fully insulated to ensure that condensation does not collect inside.
- The tile vents must not be placed directly next to any hot parts of the roof.

Scan or click to view product
datasheet

