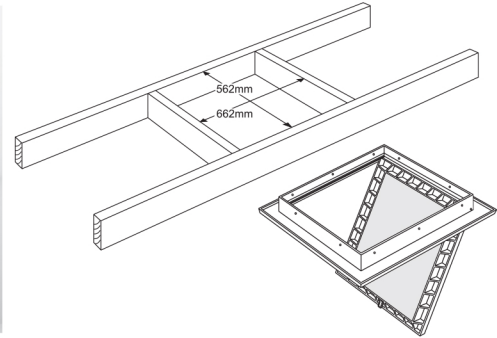




Product 1169 Hinged Loft Access Door

- Including 1169/35, 1169/25 and Key Lock models

Installation Guidance



Please read these instructions before installation.

- Designed for installation:
 - between standard 38mm roof trusses spaced at 600mm centres
 - into a prepared ceiling opening of 562 x 662mm
 - after plaster boarding and skimming
 - into domestic applications with occasional access requirements.
- 2 person recommended installation
- All required fixing screws and hinge pins are supplied
- Allows for painting if required
- Ideally suited for use with roof mounted telescopic loft ladder

Step 1 - Trimmers are required across both ends of the loft access door frame. These should be constructed using timbers of a similar size to the main ceiling joists and should be spaced to give a clear opening of 662mm.

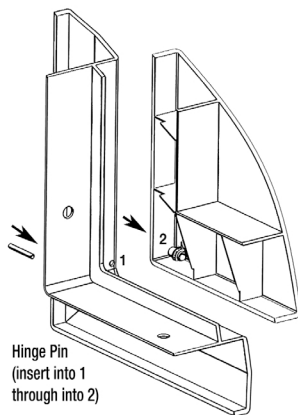
Step 2 - Check that the ceiling joists and trimmers are straight and true without any twist or distortion.

Step 3 - Assemble the door into the frame in the closed position (as supplied).

Step 4 - Fully insert the door hinge pins through the holes on the underside of the frame into the corresponding holes on either side of the door.

To ensure that the door is held securely in place; both hinge pins should be fully located into the door and protruding the frame for support.

Please note that the initial hinge pin fit is tight, however the final assembly will be looser- to enable full movement when in position.



Step 5 - Lift the door and frame assembly up into the prepared opening and check that it is a good fit

- do not try to force the frame into an opening that is too small
- if the opening is slightly too large, use packers along the sides and/or ends to ensure a good fit.

Distortion to the frame can occur if installed into an over or under sized opening, which will impact the door's operation.

Step 6 - Lift the assembled door and frame into the prepared opening with the door in the fully open position. The open door should be securely held by a second person.

Ensure that the frame is level and free from twisting or distortion.

Step 7 - Starting from the door hinged side, secure the frame by driving all 10 of the supplied wood screws into the ceiling joists through the 10 pre-made fixing holes provided around the frame.

Ensure that the frame is fitted firmly but do not over-tighten the screws, as this will cause stress and distortion in the frame.

Step 8 - Fix the plastic cap to the end of a 12mm diameter pole (not supplied); recommended to be no shorter than 0.5m for adequate floor level operation (not applicable to Key Lock models).

Check that the twist lock door mechanism works correctly.

Step 9 - Open and close the door several times to ensure that the door operates correctly.

Step 10 - To ensure an airtight seal; apply decorator's flexible caulking around the architrave frame where it meets the ceiling finish.