

PLEASE READ AND FOLLOW THESE INSTRUCTIONS CAREFULLY

If you require any additional guidance, contact the Timloc technical department via the details below prior to installation



INSTALLATION GUIDE

1169 PLASTIC HINGED LOFT DOOR

includes 0.82, 0.35 & 0.25 u-values & key lock models

CONTENTS:

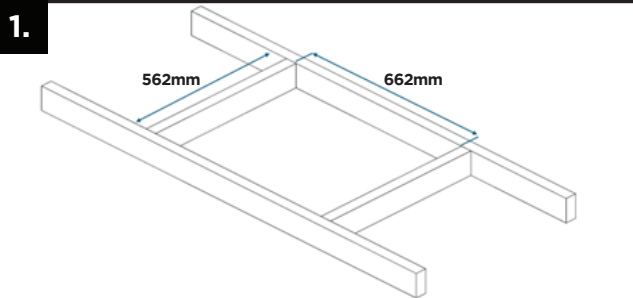
- 1 x 1169 plastic hinged loft door
- 1 x pole cap
- 2 x hinge pins
- 10 x wood screws

FOR INSTALLATION:

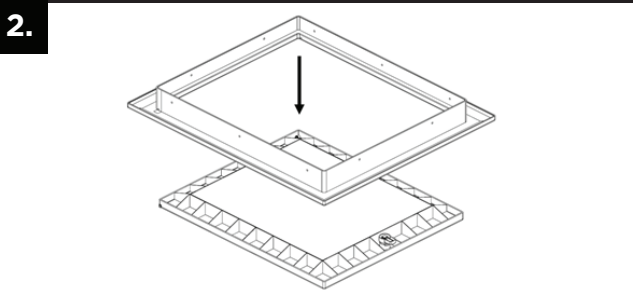
- Between 38mm roof trusses spaced at 600mm centres
- Into a prepared ceiling opening of 562mm x 662mm
- After plaster boarding and skimming
- In domestic applications with occasional access requirements

FITTING:

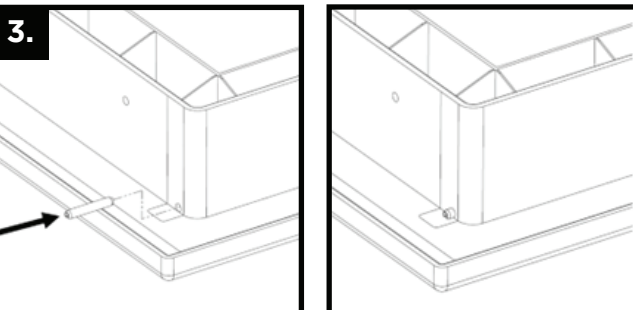
- Two person installation
- To be fitted by competent tradespeople only
- All required fixing screws and hinge pins are supplied
- Allows for painting if required
- Suited for use with telescopic roof ladders



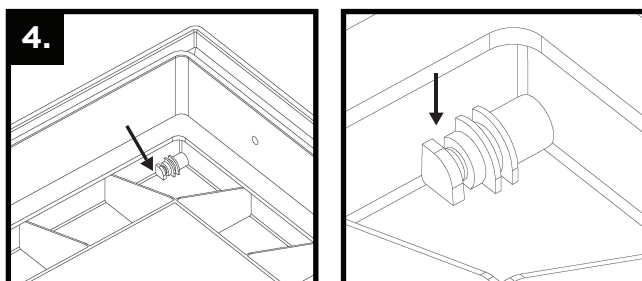
1. Trimmers are required across both ends of the frame. These should be constructed using timber sections of a similar size to the main ceiling joists and spaced to give a clear opening of 662mm. Ensure the ceiling joists and trimmers are straight and true without any twist or distortion.



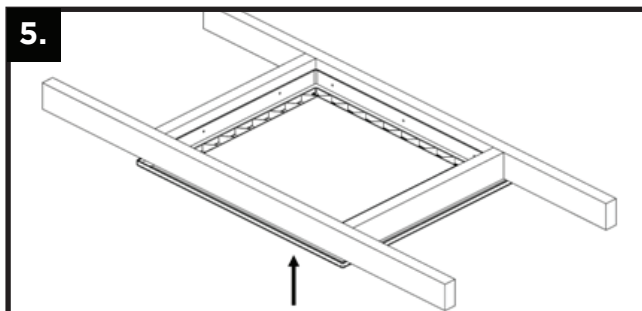
2. Assemble the door into the frame in the closed position (as supplied in the box).



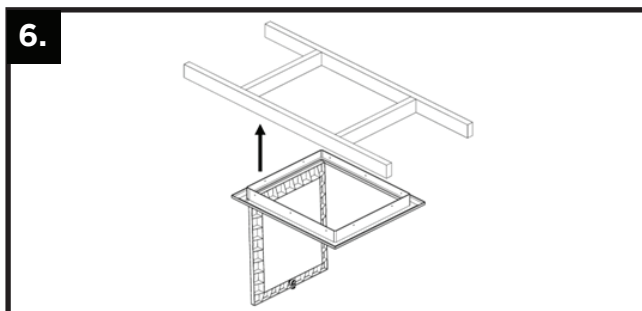
3. Insert door hinge pins from the outside through the frame holes and into the corresponding holes on either side of the door.



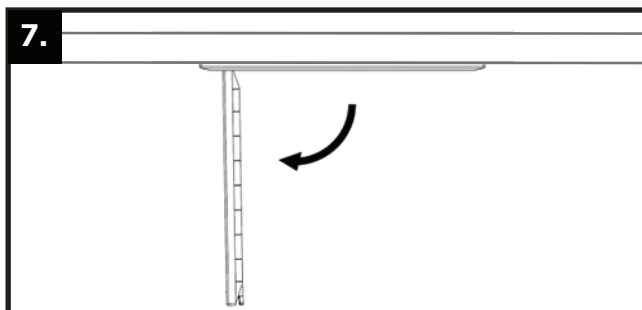
4. Both hinge pins should be pushed through the holes until they reach the stop ribs on the inside of the door. The pins have a tight compression fit during installation and will allow movement of the door after fitting.



5. With the door in the closed position and catch engaged, lift the assembly up into the prepared opening to check it is a good fit. If the opening is slightly too large, use packers along the sides and/or ends to adjust the fit. Do not force the frame into an opening that is too small, instead adjust the timbers to suit the door. Ensure the frame sits level and is free from twisting or distortion.



6. With the door in the open position, lift the assembly up into the opening with the door being securely held by a second person. Starting at the door hinge side, fix the frame by driving all 10 of the supplied wood screws into the ceiling joists through the 10 pre-made fixing holes provided around the frame. Ensure the frame is fitted firmly into the opening but do not over-tighten the screws as this will cause stress and distortion in the frame.



7. Open and close loft door several times to ensure correct operation. Ensure the hinge pins are in position as per drawing 4.

8. The supplied pole cap can be fixed to a 12mm diameter pole (not supplied) to enable remote open and close operation (not compatible with Key Lock models). Alternatively a metal loft door operating pole is available from Timloc (code: Z1170).

9. To help ensure an airtight seal after installation, apply decorator's flexible caulk around the frame where it meets the ceiling finish.