

# INVENTIVE

## Roof ventilation solutions

RTV-UNI2 | Universal Vent 22,000mm<sup>2</sup>

# DATASHEET

**Universal roof vent to enable ventilation directly into a roof space or connect to a ducted ventilation system**

### Use

- On roofs with any type of tile or slate roof covering
- Enables ventilation directly into a roof space
- Can also be connected to a ducted ventilation system inside the building

### Features & Benefits

- Suitable for roofs with a minimum pitch of 12.5°
- Max free ventilation area of 22,000mm<sup>2</sup> when cut at 170mm diameter
- Max free ventilation area of 16,000mm<sup>2</sup> when cut at 150mm diameter
- Max free ventilation area of 11,000mm<sup>2</sup> when cut at 125mm diameter
- Max free ventilation area of 8,400mm<sup>2</sup> when cut at 110mm diameter
- Designed to provide ventilation through all types of tile or slate
- Integrated lead alternative flashing provides a customisable fit
- Shaped to manage and channel rainwater back down onto the roof tiles and away from the vent opening
- UV stabilised top for continuous exposure to sunlight
- Lightweight and easy to handle

### Quality

- Independently tested by BRE for deluge and wind driven rain to PD CEN/TR15601:2012
- BS EN 490:2011 Concrete roofing tiles and fittings for roof covering and wall cladding - product specifications (+A1:2017)
- BS 5250: 2021 Management of moisture in buildings - Code of practice
- BS 5534:2014 Slating and tiling for pitched roofs and vertical cladding - code of practice (+A2:2018)
- Manufactured to BS EN ISO 9001:2015 and BS EN ISO 14001:2015
- Complies with all relevant sections of the Building Regulations 2010
- Satisfies all relevant NHBC requirements

### Compatibility

The alternative lead flashing sheet allows the Universal Roof Tile Vent to be installed onto all types of tile or slate roof covering.



Terracotta  
RTV-UNI2TE



Brown  
RTV-UNI2BR

Grey  
RTV-UNI2GR

Red  
RTV-UNI2RD

Black  
RTV-UNI2BL

### Material & Colour



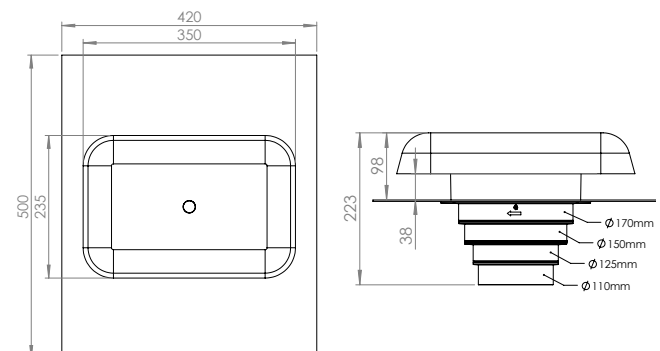
- Top - UV stabilised coloured injection moulded Polypropylene with textured finish
- Available in Terracotta, Brown, Grey, Red and Black
- DEKS Fast Flash Self Adhesive Lead Alternative in Black\*
- \*Visit the [DEKS website](#) for further information and for [installation advice](#)

### Environmental Product Declaration

A quantification of environmental information regarding the life cycle of the Universal Vent - 22,000mm<sup>2</sup>. GWP total is for production stages A1-A3. Verified in accordance with ISO 14025. View the full EPD at [timloc.co.uk](#).

Product	EPD Reference	EPD Mass (KG)	GWP A1-A3 (KG CO <sub>2</sub> e)
RTV-UNI2	EPD HUB, HUB-2425	1.52	3.28E+00

### Product Dimensions



## Compatible Accessories

- Full datasheets available for all accessories

Description	Product Code	Product Image
110mm Flexi-Pipe to aid connection to ventilation duct or soil vent pipe	RTV-KIT1	

## Airflow Test Data

Flow Rate l/s	RTV-UNI2 (100mm duct)	RTV-UNI2 (125mm duct)
	Static pressure difference Pa	
15	1	1
30	2	3
45	4	8
60	7	13
75	11	20
90	15	29

## Product Codes

Product Description	Colour	Weight	Box Quantity	Product Code	Pack Quantity	Pack Code	Pallet Quantity
Universal Roof Tile Vent	Terracotta	1.57kg	1	RTV-UNI2TE	4	RTVMULTI-UNI2TE	60
Universal Roof Tile Vent	Brown	1.57kg	1	RTV-UNI2BR	4	RTVMULTI-UNI2BR	60
Universal Roof Tile Vent	Grey	1.57kg	1	RTV-UNI2GR	4	RTVMULTI-UNI2GR	60
Universal Roof Tile Vent	Red	1.57kg	1	RTV-UNI2RD	4	RTVMULTI-UNI2RD	60
Universal Roof Tile Vent	Black	1.57kg	1	RTV-UNI2BL	4	RTVMULTI-UNI2BL	60

**NB.** RTV-UNI2 available in single, pack or pallet quantities. For pack quantities, 4 tile vent assemblies are packaged in one large box.