

RAD-SEAL 10
by **timloc**

RAD-SEAL 15
by **timloc**

INSTALLATION GUIDE

Face-Fix Radiator Pipe Guide and Seal



 Manufactured to BS EN ISO 9001 and BS EN ISO14001

 Helps to meet: Building Regulation Document Part L - Conservation of Fuel and Power

To install Rad-Seal 10 or 15 by Timloc you will need:

- 1 x pencil for marking up
- 1 x Pozidrive screw driver
- 3 x metal screws (no more than 4mm Pozidrive and Countersunk)
- 3 x wall plugs suitable for plasterboard and medium weight use

1.

Suitable for:

Within all wall constructions that present a concealed pipe void including:

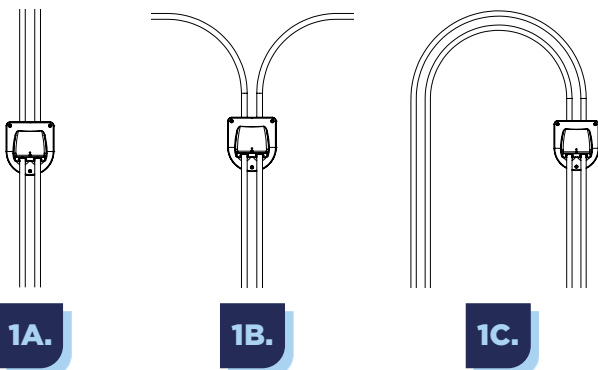
- Studded dry lined walls
- Plaster dab slab walls

The unit will accept routed pipework from:

1A. Below (ground floor).

1B. Horizontally (ie. under window) NB. Pipes from the sides must be crossed over for exit via the holes in the Rad-Seal.

1C. Above (upper floor).



Rad-Seal 10 for 10mm pipework (2221)



Front



Back



Scan or click to view product datasheet

Rad-Seal 15 for 15mm pipework (2222)



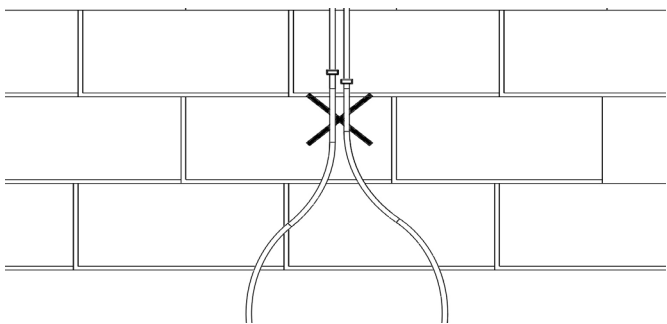
Front



Back



Scan or click to view product datasheet



2.

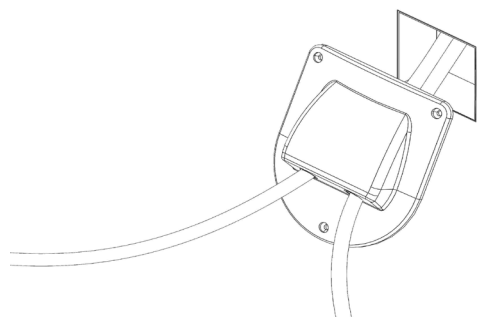
Positioning unit:

2A. Clearly mark the centre of the proposed exit hole for the radiator pipework with a cross 'X' on the wall:

- Approximately 125mm above the bottom of the radiator.
- Central to the final radiator position.

2B. Secure the pipework in place with pipe clips approximately 50mm above the marked 'X' OR secure the pipework via an electric back box that is secured to the wall.

Note: Consider the radiator style and size for any fitting height variation that may be required. Allow clearance for the radiator wall fixing brackets.



4.

Preparing screw fixing points:

4A. Cut the radiator pipework loop at the midpoint into two equal lengths.

4B. Feed the two pipework lengths through the back of the unit via the pipe entry gasket seal holes.

4C: Position the unit against the wall and over the hole to enable pipework entry i.e. gasket seal holes facing down.

4D: With the unit in place, clearly mark the three screw hole locations onto the plasterboard.

3.

Preparing pipework entry hole:

3A. Either:

- Cut a 90mm circular hole using the marked 'X' as a centre position.
- Cut plasterboard around a metal back box.
- Cut a sufficient amount of plasterboard away behind the Rad-Seal unit to allow the pipes to pass through without damage.

3B. Feed and secure the radiator pipework loop through the hole.

3C. The unit can be fixed at a later stage; therefore the plasterboard can be fixed and plastered as normal.

5A.

5.

Permanent fixing:

5A. Withdraw the unit from the wall to allow access for fixing the three wall plugs.

5B. Feed the unit over the pipework and offer the unit over the hole, as before.

5C: Line up the unit's fixing holes to the wall plug holes.

5D: Fix the three screws into the wall plugs.

5E: Loop the pipework to the radiator valves and connect in accordance with the radiator manufacturer's guidance.

5F: To ensure an optimal seal the Rad-Seal must be fixed tightly against the wall surface.

Note: Decorators caulk or another suitable sealant may be required on uneven wall surfaces around the perimeter of the unit prior to final fixing.

Warning: Be careful not to damage hidden pipes when fixing wall plugs and screws.

