

INVENTIVE

Roof ventilation solutions

RTV-UNI2 | Universal Vent 22,000mm²

Universal roof tile vent to enable ventilation directly into a roof space or connect to a ducted ventilation system

Uses

- On roofs with any type of tile or slate roof covering
- Enables ventilation directly into a roof space
- Can also be connected to a ducted ventilation system inside the building

Features and Benefits

- Suitable for roofs with a minimum pitch of 12.5°
- Max free ventilation area of 22,000mm² when cut at 170mm diameter
- Max free ventilation area of 16,000mm² when cut at 150mm diameter
- Max free ventilation area of 11,000mm² when cut at 125mm diameter
- Max free ventilation area of 8,400mm² when cut at 110mm diameter
- Designed to provide ventilation through all types of tile or slate
- Integrated lead alternative flashing provides a customisable fit
- Shaped to manage and channel rainwater back down onto the roof tiles and away from the vent opening
- UV stabilised top for continuous exposure to sunlight
- Lightweight and easy to handle

Relevant Standards

- BS EN 490:2011 Concrete roofing tiles and fittings for roof covering and wall cladding - product specifications (+A1:2017)
- BS 5250: 2021 Management of moisture in buildings – Code of practice
- BS 5534:2014 Slating and tiling for pitched roofs and vertical cladding – code of practice (+A2:2018)
- Manufactured to BS EN ISO 9001:2015 and BS EN ISO 14001:2015
- Complies with all relevant sections of the Building Regulations 2010
- Satisfies all relevant NHBC requirements

Compatibility

The alternative lead flashing sheet allows the Universal Roof Tile Vent to be installed onto all types of tile or slate roof covering.

Material and Colour Choice

- Top - UV stabilised coloured injection moulded Polypropylene with textured finish
- Available in Terracotta, Brown, Grey, Red and Black
- DEKS Fast Flash Self Adhesive Lead Alternative in Black*



*Visit the [DEKS website](#) for further information and for [installation advice](#).

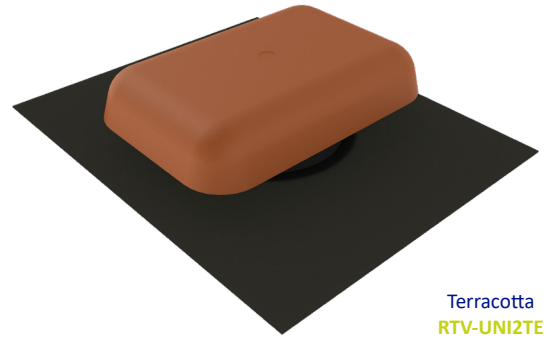
Accessories

- Full datasheets available for all accessories
- 110mm Flexi-Pipe (RTV-KIT1) to aid connection to ventilation duct or soil vent pipe

Product Codes

Product Description	Colour	Weight	Box Quantity	Product Code	Pack Quantity	Pack Code	Pallet Quantity
Universal Roof Tile Vent	Terracotta	1.57kg	1	RTV-UNI2TE	4	RTVMULTI-UNI2TE	60
Universal Roof Tile Vent	Brown	1.57kg	1	RTV-UNI2BR	4	RTVMULTI-UNI2BR	60
Universal Roof Tile Vent	Grey	1.57kg	1	RTV-UNI2GR	4	RTVMULTI-UNI2GR	60
Universal Roof Tile Vent	Red	1.57kg	1	RTV-UNI2RD	4	RTVMULTI-UNI2RD	60
Universal Roof Tile Vent	Black	1.57kg	1	RTV-UNI2BL	4	RTVMULTI-UNI2BL	60

NB. RTV-UNI2 available in single, pack or pallet quantities. For pack quantities, 4 tile vent assemblies are packaged in one large box.



Terracotta
RTV-UNI2TE



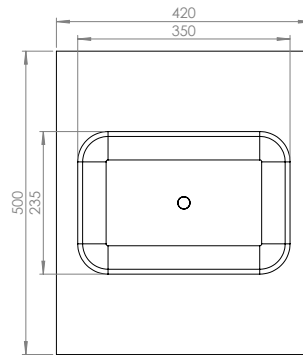
Brown
RTV-UNI2BR

Grey
RTV-UNI2GR

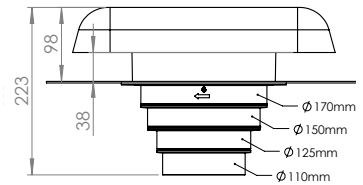
Red
RTV-UNI2RD

Black
RTV-UNI2BL

Product Dimensions



Top Profile



Side Profile

Airflow Test Data

	RTV-UNI2 (100mm duct)	RTV-UNI2 (125mm duct)
Flow Rate l/s	Static pressure difference Pa	
15	1	1
30	2	3
45	4	8
60	7	13
75	11	20
90	15	29