

RAD-SEAL 15

by **timloc**

DATASHEET

Face-fix radiator pipe guide and seal to eliminate potential air leakage and heat loss at vulnerable through-wall radiator pipework entry points.

Use

- At the point of entry of through-wall 15mm plastic radiator pipework.
- Within all wall constructions that present a concealed pipe void including:
 - Studded dry lined walls.
 - Plaster dab slab walls.

Features & Benefits

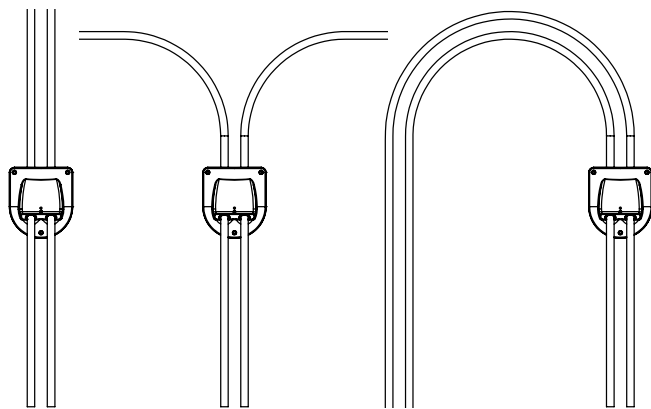
- Contributes to Part L's required air leakage performance.
- Protects the pipework and plaster from direct chafing.
- Straight-forward and quick face fix installation.
- Projects by just 23.5mm from the wall.
- Securely positions the pipework into the required direction for connection.
- Eliminates pipework kinking.
- Patent-pending design.

Quality

- Manufactured to BS EN ISO 9001 and BS EN ISO 14001.
- Helps to meet: Building Regulation Document Part L - Conservation of Fuel and Power.

Technical Considerations

- Accepts routed pipework from:



A. Ground floor routing

B. Horizontal routing

C. Upper floor routing

Product Codes

Description	Height	Width	Depth	Box Quantity	Lead Time	Product Codes
Rad-Seal Face-Fix 15mm	140mm	126mm	23.5mm	20	Next Working Day	2222



For 15mm pipework

Material & Colour

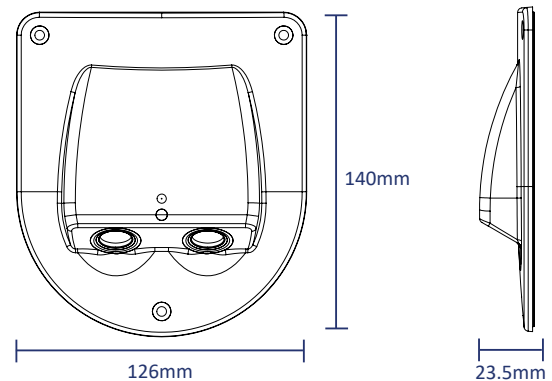
- Main unit body - white recycled Polypropylene.
- Gasket seal entry and seals - Thermoplastic Elastomer.

Environmental Product Declaration

A quantification of environmental information regarding the life cycle of the Rad-Seal 15. GWP total is for production stages A1-A3. Verified in accordance with ISO 14025. View the full EPD at timloc.co.uk.

EPD Reference	EPD Mass (KG)	GWP A1-A3 (KG CO2e)
EPD HUB, HUB-2156	0.0453	6.95E-03

Product Dimensions



Installation Advice

- Please refer to timloc.co.uk for full recommended installation guidance.