

INVENTIVE

Roof ventilation solutions

RTV-ADS | Standard Tile Vent Adapter

DATASHEET

Duct adapter for Timloc Large Format Inline Roof Tile Vents

Use

- To provide Timloc Roof Tile Vents with a 110mm duct or soil vent pipe connection

Features & Benefits

- Compatible with all Timloc Large Format Inline Roof Tile Vents RTV-C / RTV-DP / RTV-DR / RTV-TE / RTV-FE / RTV-NP
- The adapter reduces the maximum free vent area of the system from 10,000mm² to 8,600mm²
- Simply click into position to secure the adapter to the base of the tile vent
- Provides a precise fit to 110mm duct or Soil Vent Pipe
- Duct can be secured to the adapter with adjustable screw clamps, zip ties or glued/screwed

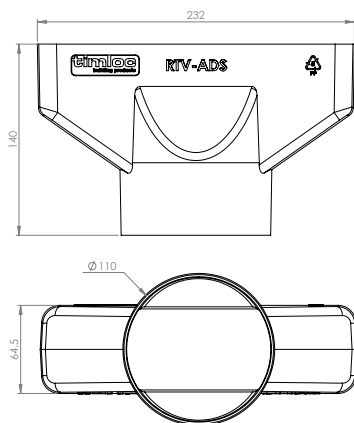
Quality

- BS 5250: 2021 Management of moisture in buildings - Code of practice
- Manufactured to BS EN ISO 9001:2015 and BS EN ISO 14001:2015
- Complies with all relevant Building Regulations 2010
- Satisfies all NHBC requirements

Material & Colour

- Injection moulded Polypropylene
- Available in Black only

Product Dimensions



Compatible Accessories

- Full datasheets available for all accessories

Description	Product Code	Product Image
Multi adapter (RTV-ADMULTI) to aid connection to 100/110/125/150mm duct sizes	RTV-ADMULTI	
110mm Flexi-Pipe to aid connection to ventilation duct or soil vent pipe	RTV-KIT1	

Environmental Product Declaration

A quantification of environmental information regarding the life cycle of the Standard Tile Vent Adapter. GWP total is for production stages A1-A3. Verified in accordance with ISO 14025. View the full EPD at timloc.co.uk.

EPD Reference	EPD Mass (KG)	GWP A1-A3 (KG CO ₂ e)
EPD HUB, HUB-1836	0.1324	3.31E-03

Product Codes

Product Description	Colour	Weight	Qty	Product Code
Standard Tile Vent Adapter	Black	0.13kg	12	RTV-ADS