

INVENTIVE

Roof ventilation solutions

RTV-ADP | Plain Tile Vent Adapter

DATASHEET

Duct adapter for Timloc Plain and Interlocking Plain Roof Tile Vents

Use

- To provide Timloc Roof Tile Vents with a 110mm duct or soil vent pipe connection

Features & Benefits

- Compatible with Timloc Plain Roof Tile Vents RTV-P / RTV-IP / RTV-LPP / RTV-SLIP without reducing the free vent area of the system.
- Simply click into position to secure the adapter to base of the tile vent
- Provides a precise fit to 110mm duct or Soil Vent Pipe
- Duct can be secured to the adapter with adjustable screw clamps, zip ties or glued/screwed.

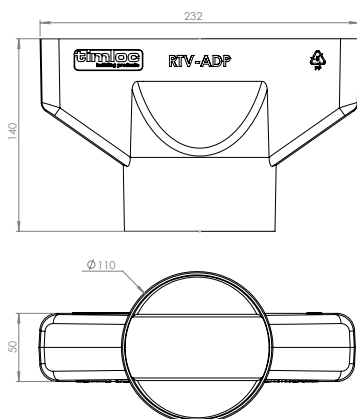
Quality

- BS 5250: 2021 Management of moisture in buildings - Code of practice
- Manufactured to BS EN ISO 9001:2015 and BS EN ISO 14001:2015
- Complies with all relevant Building Regulations 2010
- Satisfies all NHBC requirements

Material & Colour

- Injection moulded Polypropylene
- Available in Black only

Product Dimensions



Compatible Accessories

- Full datasheets available for all accessories

| Description | Product Code | Product Image |
|---|--------------|---------------|
| Multi adapter (RTV-ADMULTI) to aid connection to 100/110/125/150mm duct sizes | RTV-ADMULTI | |
| 110mm Flexi-Pipe to aid connection to ventilation duct or soil vent pipe | RTV-KIT1 | |

Environmental Product Declaration

A quantification of environmental information regarding the life cycle of the Plain Tile Vent Adapter. GWP total is for production stages A1-A3. Verified in accordance with ISO 14025. View the full EPD at timloc.co.uk.

| EPD Reference | EPD Mass (KG) | GWP A1-A3 (KG CO ₂ e) |
|-------------------|---------------|----------------------------------|
| EPD HUB, HUB-1836 | 0.1288 | 3.22E-03 |

Product Codes

| Product Description | Colour | Weight | Qty | Product Code |
|-------------------------|--------|--------|-----|--------------|
| Plain Tile Vent Adapter | Black | 0.13kg | 12 | RTV-ADP |