

INVENTIVE

Roof ventilation solutions

INSTALLATION GUIDE

Hooded Slate Vent

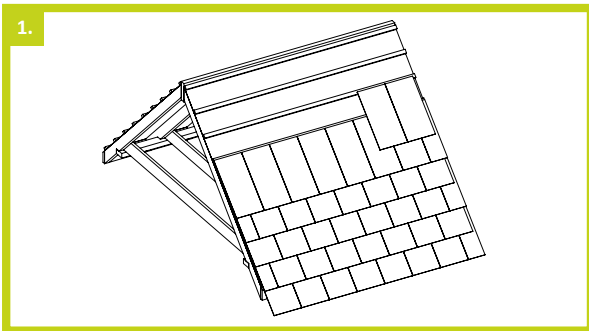
RTV-HSBL



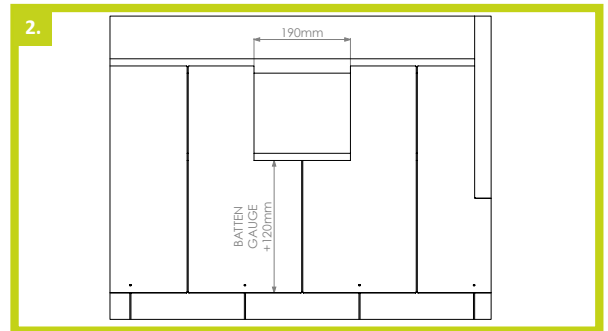
Black
RTV-HSBL

Hooded Slate vent to enable ventilation directly into a roof space or connect to a ducted ventilation system.

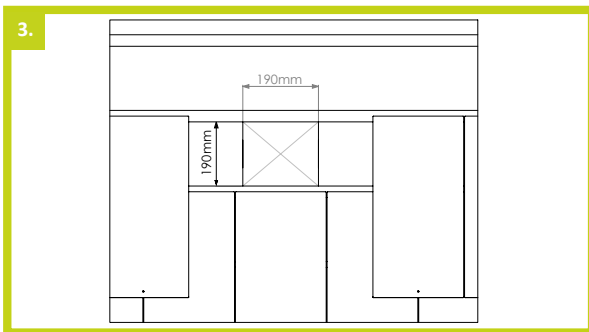
Installation Steps | 300x600mm (WxH) slates



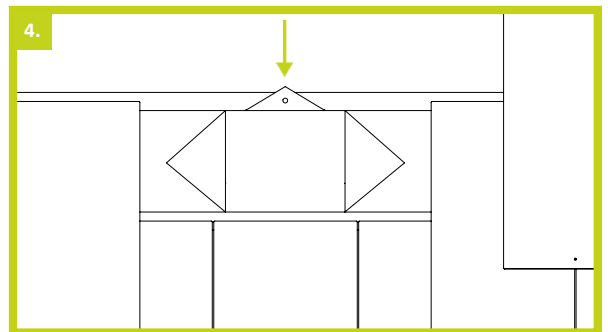
1. Install the slate tiles up to the area where the vent is required.



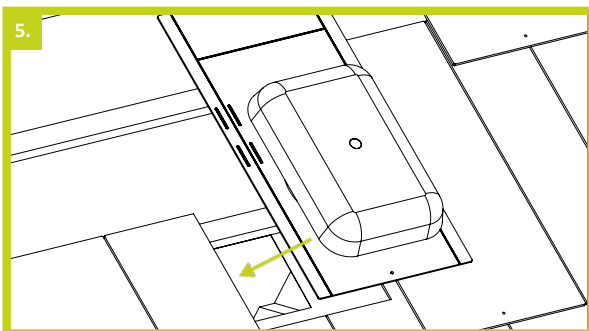
2. Cut the two slates below the slate vent position as shown. Then remove the two cut slates to one side.



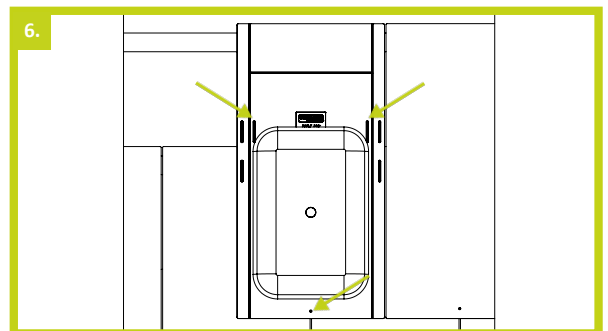
3. Mark out a rectangular area on the underlay between the two battens 190mm (W) x 190mm (H) then mark a cross shape through the centre of the rectangular area.



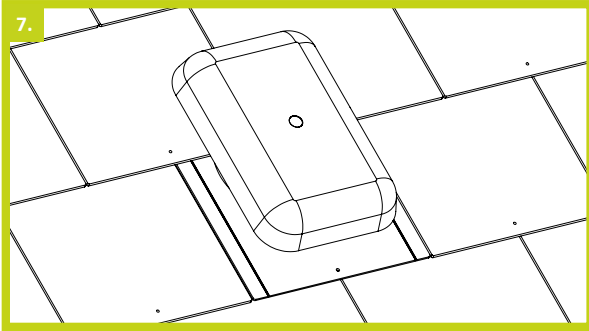
4. Cut along the diagonal cross shape lines then fold back the triangular flaps of the underlay to show the rectangular opening. Now fold the top tab tight against the batten and secure in place with a nail or staple.



5. Lay the slate vent into position ensuring that the hole in the underlay aligns correctly with the spigot to allow airflow.

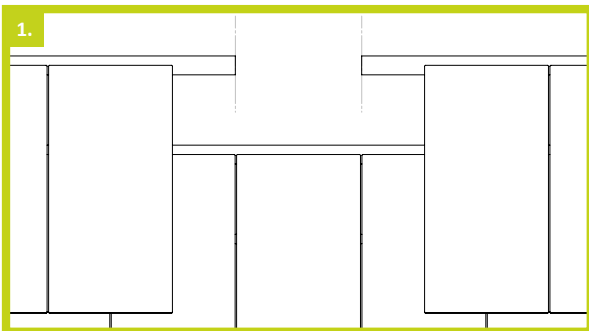


6. Use slate fixing nails to secure the vent to the battens through the corresponding fixing slots. If the batten does not line up with any of the slots a counter batten can be fitted.

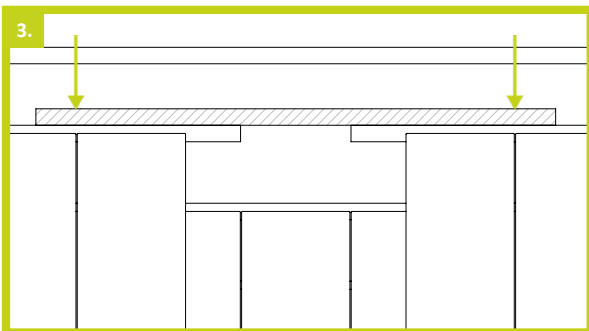


7. Now fit the slates at the side of the vent and then continue to fit the rest of the slate courses up the roof. Depending on the batten gauge used, the slates directly above the vent may need to be trimmed to fit around the spigot of the slate vent.

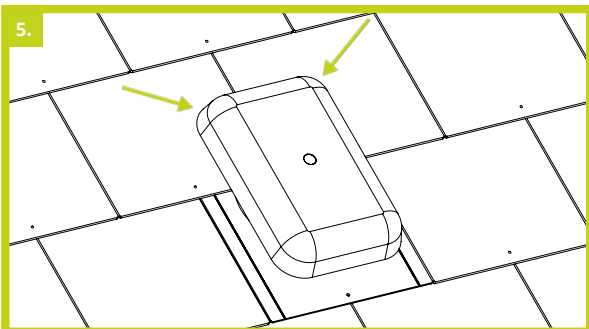
Installation Steps | 250x500mm (WxH) slates



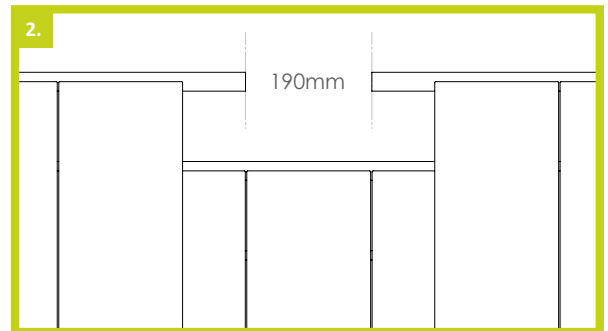
1. Complete installation steps 1 & 2 from the 300x600mm (WxH) section on the previous pages.



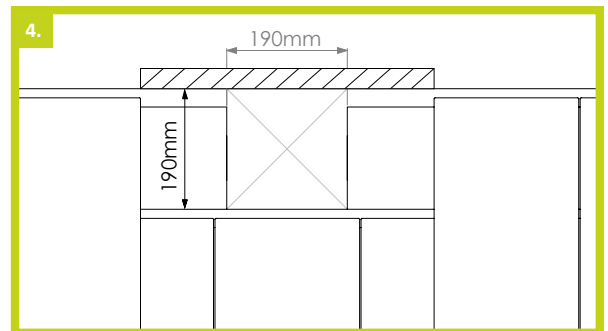
3. Now fix a support batten above where you have made the cut in the original batten. Use a section long enough to be supported by at least two or three rafters below then nail it into position though the rafters below.



5. For the 250x500mm (WxH) size, the slates fitted at either side should overlap the outer plastic edges of the slate vent and match up to the indented vertical channels. If required at lower batten gauges the slates directly above the vent should be trimmed to sit flush above the grille section as shown.

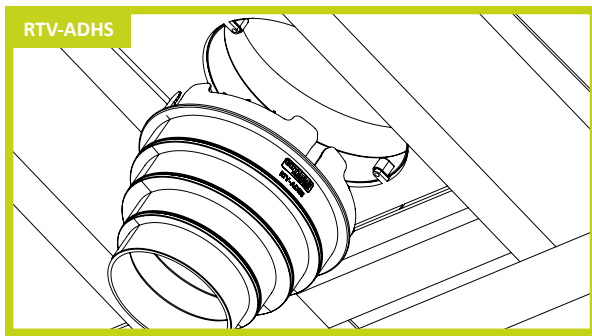


2. Mark out a 190mm section to be cut away from the batten under the vent space. The cut batten edges should line up with the cut slate edges. Then saw through the marks and remove the section of batten. (If you are not using the product with a duct adapter then batten cutting is not required and steps 2-3 can be skipped).

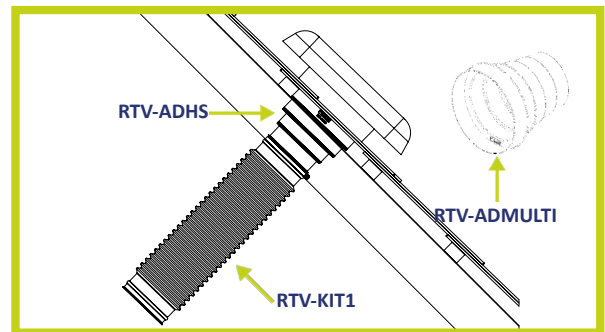


4. Cut along the diagonal cross shape lines then fold back the triangular flaps of the underlay to show the rectangular opening then fold the top tab tight against the batten and secure in place with a nail or staple. Now carry on with installation steps 4 to 6 from the 300x600mm (WxH) section on the previous pages.

Installation Steps | Accessories



To connect the slate vent to a mechanical ventilation system or soil stack - connect a the RTV-ADHS adapter underneath the vent. Line up the four snap fit clips inside the vent then push the adapter until it clicks into position. The adapter can be trimmed to fit different duct sizes.



To connect the slate vent to a mechanical ventilation system or soil stack - connect the ductwork via the **RTV-ADHS** 110mm duct adapter underneath the vent. The optional **RTV-KIT1** 110mm Flexi-Pipe kit can be used to connect to 110mm duct/soil vent pipe. The **RTV-ADMULTI** stepped duct adapter can also be used and cut to size to convert the ductwork to other duct diameters.

Roof Slate Vent Spacing Requirements

- To achieve an equivalent continuous opening of 5mm – space at 1.89m.
- To achieve an equivalent continuous opening of 10mm – space at 0.945m.
- To achieve an equivalent continuous opening of 25mm – space at 0.378m.

Slate Vent Installation Advice

- The Hooded Slate Vents are compatible with roof pitches of 22.5° or above.
- The maximum headlap is 100mm.
- The Hooded Slate Vent provides 9,450mm² free ventilation area per unit.
- When used with the **RTV-ADHS** Hooded Slate Vent adapter the free ventilation area is reduced to 8,800mm².
- If you wish to place the Hooded Slate Vent at high level then it must not be situated on the tiling course directly below the ridge tiles.
- The Hooded Slate Vent must not be used to provide exhaust for hot gases.
- Any ductwork that is connected to the Inline Slate Vent running through the loft or other unheated space must be fully insulated to ensure that condensation does not collect inside.
- The Hooded Slate Vents must not be placed directly next to any hot parts of the roof.