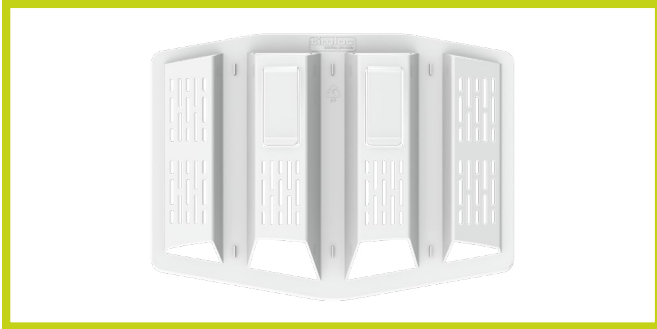


Fixing instructions for Lap Vent

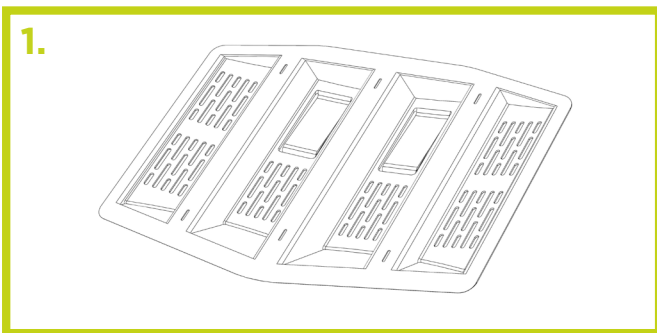
Refurbishment ventilator for existing roof spaces



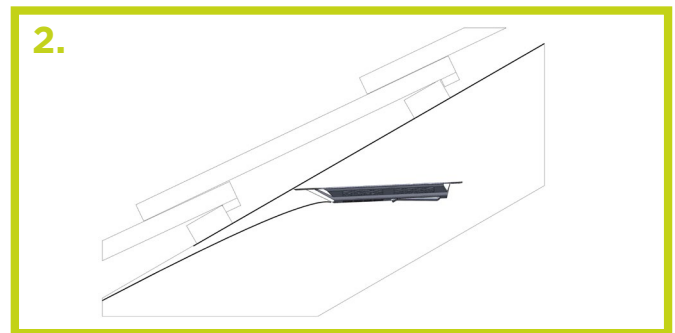
Use:

- To increase the level of ventilation in a roof space by separating lap joints in the roofing felt/membrane.
- Remedial solution for combating condensation in cold roof voids
- Can be fitted retrospectively after increased loft insulation

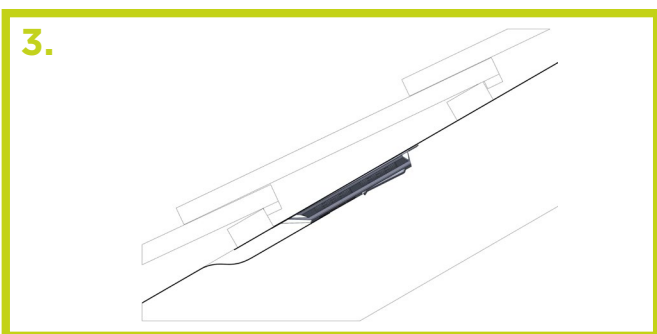
For additional information please refer to the lap vent datasheet.



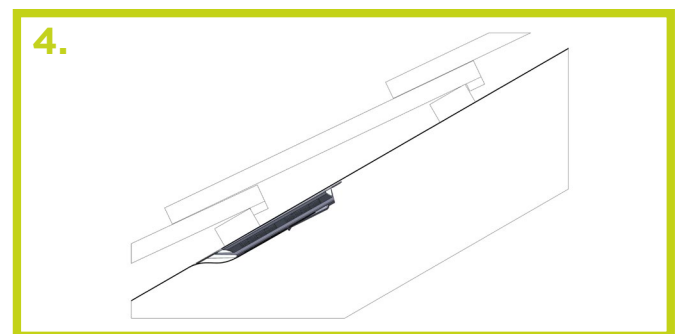
Ensure the lap vent is orientated with clips facing inwards to the roof space and the flat surface to roof.



Insert the pointed edge of the lap vent into the gap between membrane/underlay overlap and then push flat towards roof line.



Push the lap vent down inside the joint ensuring the clips hook onto the outer face.



The lap vent is in the correct position when the clips are fully engaged onto the top edge of the membrane/underlay.

Repeat the installation process with further lap vents until the required ventilation rate is achieved.