

INVENTIVE

Roof ventilation solutions


INSTALLATION GUIDE


Universal Tile Vent



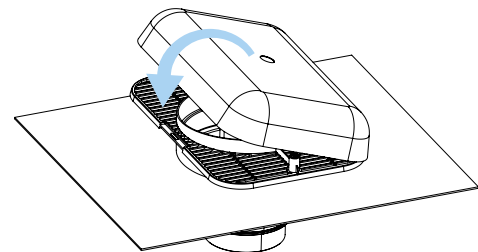
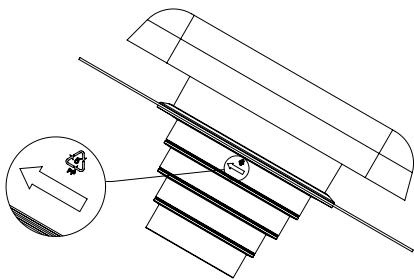
RTV-UNITE

bre Independently tested by BRE for deluge and wind driven rain to PD CEN/ TR15601:2012

 BS EN 490:2011 Concrete roofing tiles and fittings for roof covering and wall cladding, product specifications (+A1:2017)

 BS 5250: 2021 Management of moisture in buildings - Code of practice

Universal roof tile vent to enable ventilation directly into a roof space or connect to a ducted ventilation system.

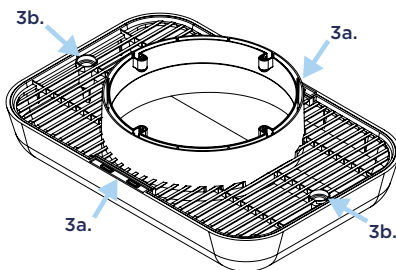


1.

When fitting the universal tile vent, ensure it is positioned with the arrow mark on the side of the spigot pointing up the roof.

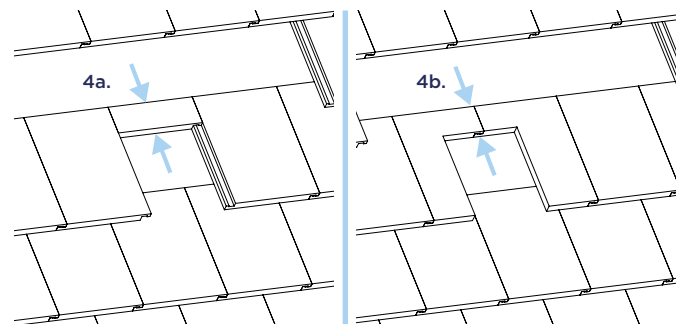
2.

To assemble the universal tile vent, hook one of the clips inside the Top onto the Base. Then bend the edges of the top slightly outwards to engage the second clip.



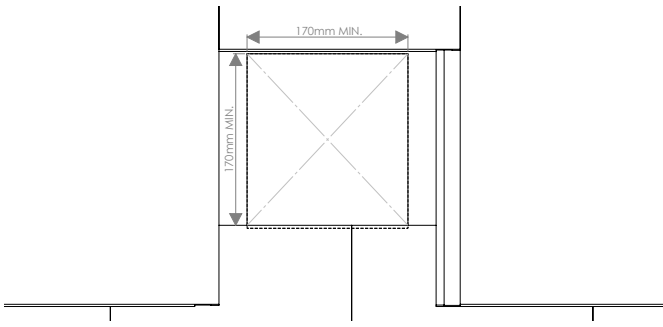
3.

3a - Ensure the clips are fully engaged on both sides.
3b - Check the edges of the base to ensure they are sitting flush with the top and push them flat into position if required.



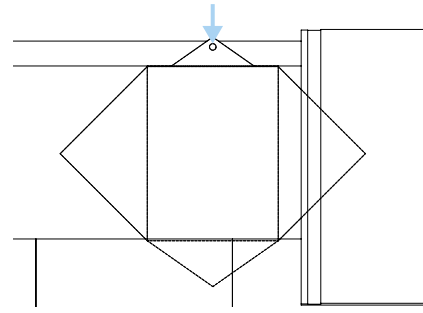
4.

Remove either a single tile (**4a**) or two adjacent tiles (**4b**) and cut the removed pieces down to the headlap length. Now refit the cut headlap piece(s) back into position.



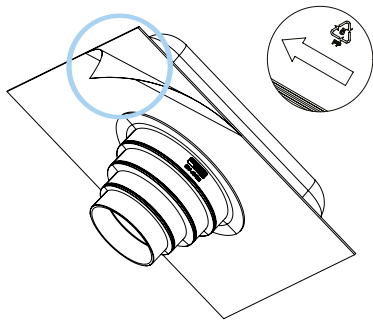
5.

Mark out diagonal lines on the underlay across the opening in the tiles. Then cut along these lines to form a rectangular hole.



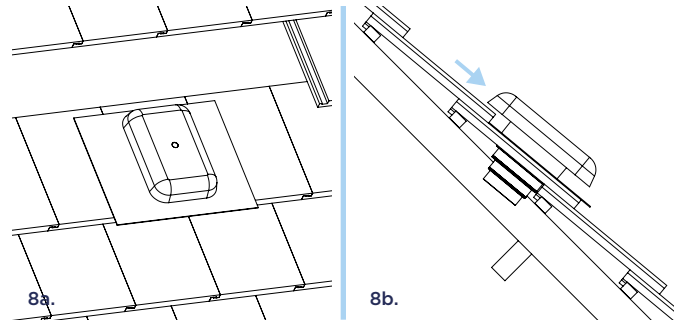
6.

Remove the cut headlap piece(s) and fold, then nail or staple the top flap tight to the batten. Tuck the other flaps under the surrounding tiles and refit the headlap piece(s).



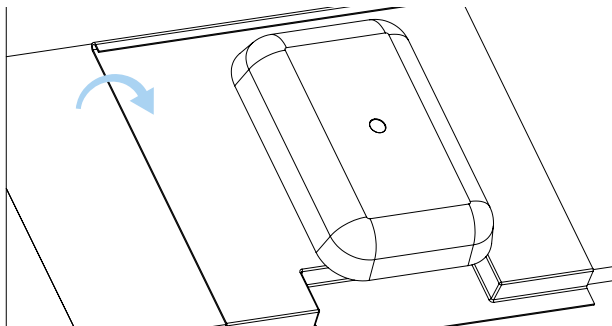
7.

Remove the white protective film from the underside of the flashing sheet to reveal the butyl adhesive. Now with the spigot arrow mark facing up the roof, insert the spigot through the underlay opening.



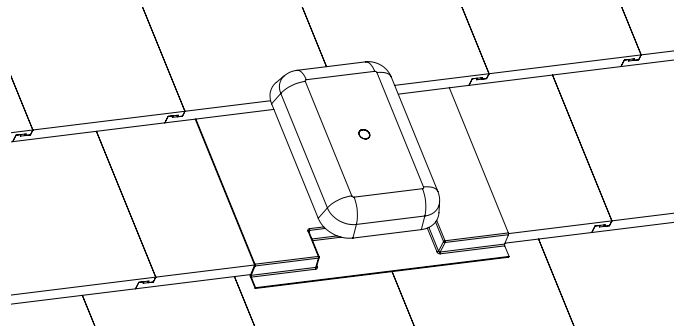
8.

8a & 8b. The vent should be pulled forwards so that the circular plastic rim under the flashing sits onto the tile below. If more support is required a counter batten can be fitted to support the rear edge of the spigot.



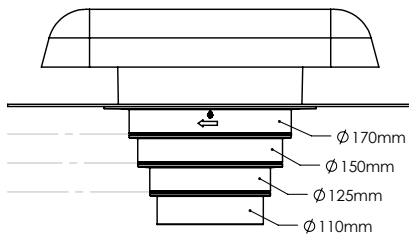
9.

Working from the centre outwards, press and form the flashing onto the surrounding tiles ensuring that the adhesive sticks fully to the surface in all areas - a dressing hammer or roller can be used to assist. At the top of the headlap the excess flashing should be turned over to create a welt section to partially expose the adhesive allowing it stick to the underside of the tiles above the vent.



10.

Now remove the clear protective film from the top of the flashing and then continue tiling above the tile vent. When fitting the headlap tiles above the vent ensure they stick to the upturned welt and are pressed down securely.



11.

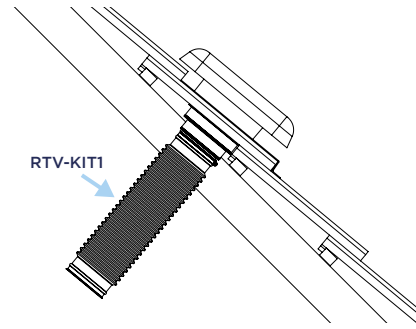
To connect to a ventilation duct or a soil stack, the adapter can be cut down to the desired duct size by cutting along the indented edges.

Roof Tile Vent Installation Advice

- If you wish to place the Universal Tile Vent at high level, the tile vent must not be situated on the tiling course directly below the ridge tiles.
- The Universal Tile Vent must not be used to provide exhaust for hot gases.
- Any ductwork that is connected to the tile vent running through the loft or other unheated space must be fully insulated to ensure that condensation does not collect inside.
- The Universal Tile Vent must not be placed directly next to any hot parts of the roof surface or structure.
- Ensure the roof surface is clean and dry before applying the flashing sheet.
- If necessary additional bridging battens can be fitted underneath the flashing sheet to help support the Universal Tile Vent.
- The flashing sheet adhesive will form a strong bond within approximately 20 minutes. A heat gun can be used in cold conditions to speed up the curing process and to dry the roof surface in wet conditions prior to installation.
- Ensure any tile manufacturer recommended tile clips are fitted where required.

12.

The optional 110mm Flexi-Pipe kit (RTV-KIT1) can also be used to help attach the vent to 110mm duct/soil vent pipe.



Compatibility

The Universal tile vent is compatible with roof pitches of 12.5° or above.

Universal Vent Spacing Requirements

- To achieve an equivalent continuous opening of 5mm – space at 4.0m.
- To achieve an equivalent continuous opening of 10mm – space at 2.0m.
- To achieve an equivalent continuous opening of 25mm – space at 0.8m.

Free Vent Area

The Universal tile vent provides a free ventilation area of:

- 20,000mm² when cut to 170mm duct diameter.
- 16,000mm² when cut to 150mm duct diameter.
- 11,000mm² when cut to 125mm duct diameter.
- 8,400mm² at the standard 110mm duct diameter.

Scan or click to view product datasheet

