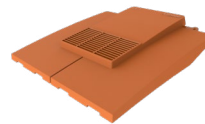


### Roof Tile Vent Installation Guide Plain Tile Vent (RTV-P)

Plain roof tile vent to enable ventilation directly into a roof space or connect to a ducted ventilation system



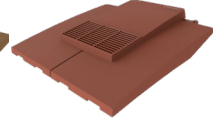
Grey - RTV-PGR



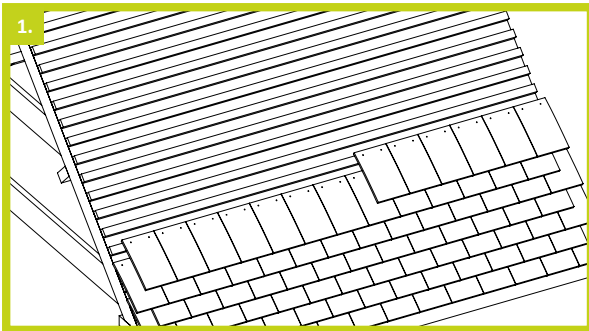
Terracotta - RTV-PTE



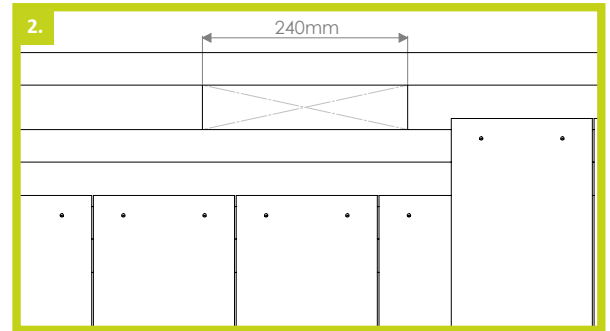
Brown - RTV-PBR



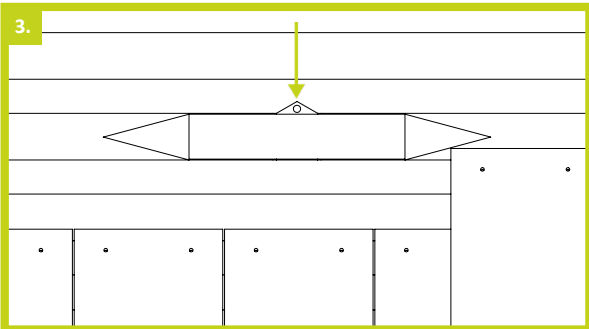
Red - RTV-PRD



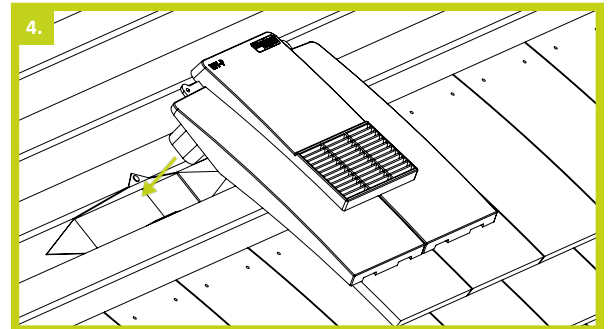
1. Install the roof tiles up to the tile space where the vent is required.



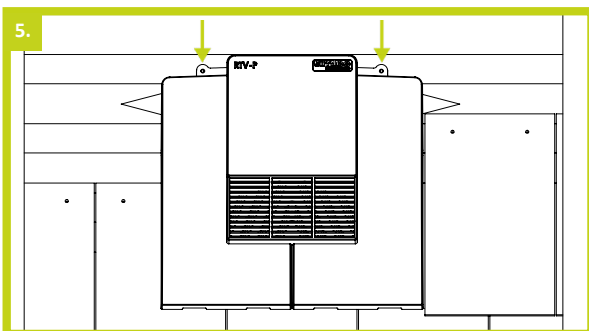
2. Mark out a rectangular area on the underlay between the battens. Now mark a cross shape through the centre of the rectangular area to guide when cutting the underlay. (Q - Minimum batten gauge 88mm when using 38mm battens).



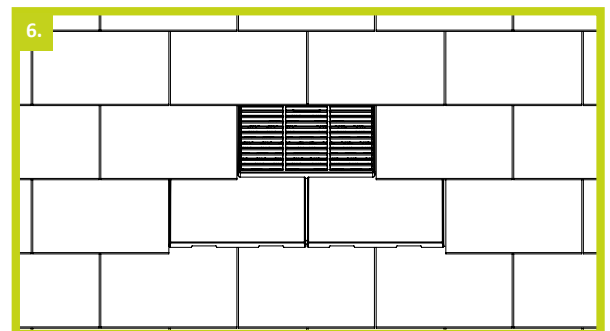
3. Cut along the diagonal cross shape lines then fold back the triangular flaps of the underlay to show the rectangular opening then fold the top tab tight against the batten and secure in place with a nail or staple.



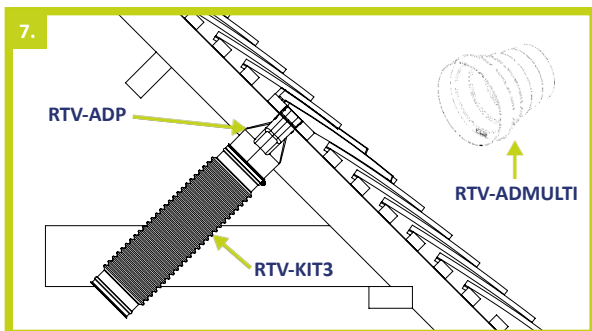
4. Insert the tile vent through the cut hole in the underlay while hooking the top edge of the tile vent over the batten. Ensure the right edge of the tile vent locks over the adjacent tile with the plastic base tab below locked underneath the adjacent tile. Ensure that the base spigot of the vent passes through fully without snagging the edges of the underlay.



5. Use roof tile nails to secure the tile vent to the batten through the two raised hole areas. The nails will pierce through the plastic when hit to form the holes.



6. Now attach any manufacturer recommended tile clips onto the tile vent if required then continue with the main roof tile installation as before.



7. To connect the tile vent to a mechanical ventilation system or soil stack connect ductwork via the **RTV-ADP** 110mm duct adapter or via the **RTV-KIT3** 110mm Flexi-Pipe kit. The **RTV-ADMULTI** stepped duct adapter can also be used and cut to size to accommodate various duct diameters.

## Roof Tile Vent Spacing Requirements

- To achieve an equivalent continuous opening of 5mm – space at 1.4m.
- To achieve an equivalent continuous opening of 10mm – space at 0.7m.
- To achieve an equivalent continuous opening of 25mm – space at 0.28m.

## Roof Tile Vent Installation Advice

- The tile vents are compatible with roof pitches of 35° or above.
- The maximum tile headlap is 100mm.
- The tile vents provide 7,000mm<sup>2</sup> free ventilation area per unit.
- Using the **RTV-ADP** plain adapter does not reduce the free ventilation area.
- If you wish to place the tile vent at high level the tile vent must not be situated on the tiling course directly below the ridge tiles.
- The tile vents must not be used to provide exhaust for hot gases.
- Any ductwork that is connected to the tile vent running through the loft or other unheated space must be fully insulated to ensure that condensation does not collect inside.
- The tile vents must not be placed directly next to any hot parts of the roof.