

# INVENTIVE

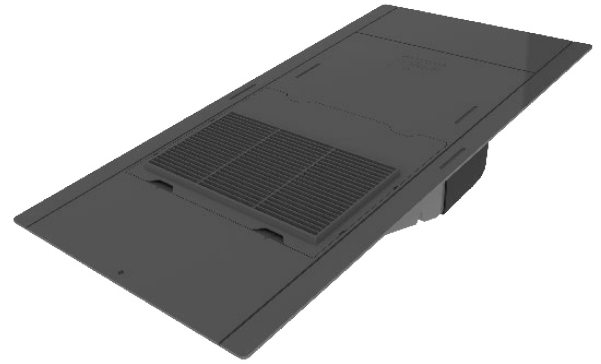
Roof ventilation solutions



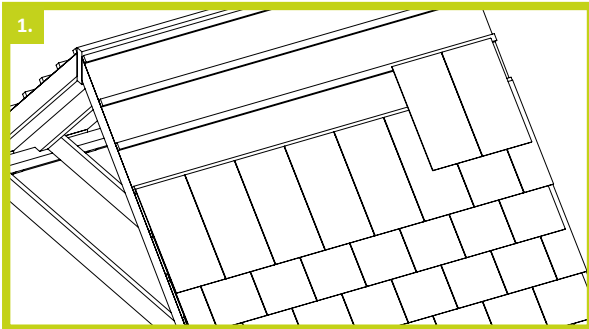
## Roof Tile Vent Installation Guide Inline Slate Vent (RTV-ISBL)

Inline Slate vent to enable ventilation directly into a roof space or connect to a ducted ventilation system

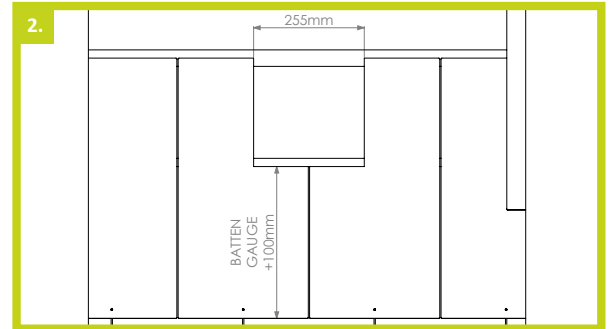
### Installation Steps – (300 (W) x 600mm (H) slates)



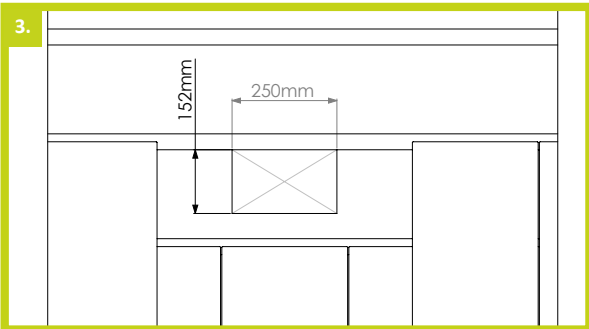
Black  
RTV-ISBL



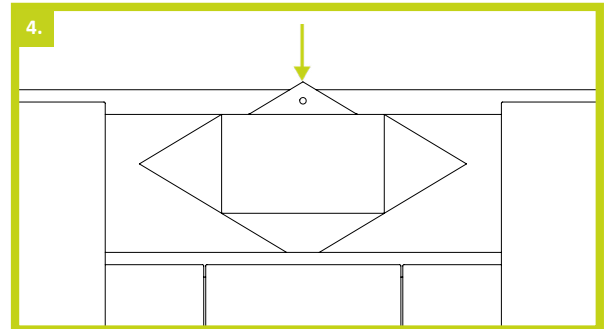
1. Install the slate tiles up to the area where the vent is required.



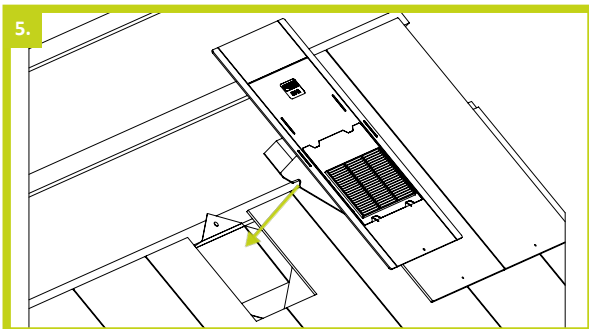
2. Position then mark and cut the two slates below the slate vent position as shown. Then remove the two cut slates to one side.



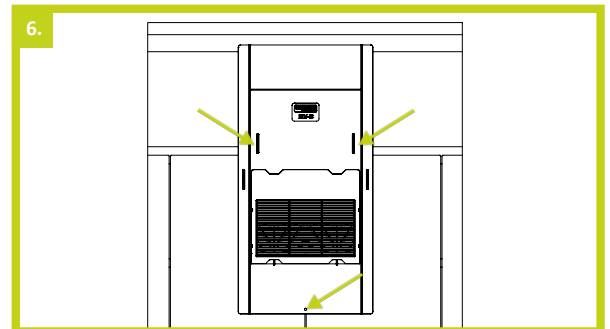
3. Mark out a rectangular area on the underlay starting just below the batten 250mm (W) x 152mm (H) and mark a cross shape through the centre of the rectangular area.



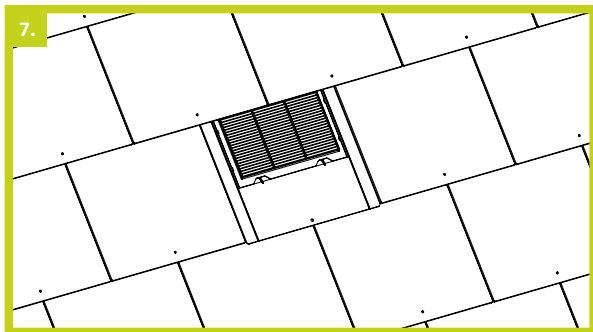
4. Cut along the diagonal cross shape lines then fold back the triangular flaps of the underlay to show the rectangular opening. Now fold the top tab tight against the batten and secure in place with a nail or staple.



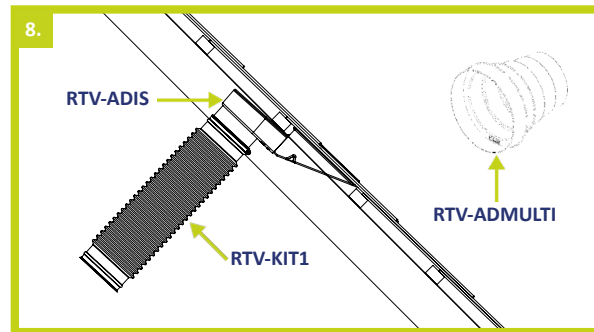
5. Insert the slate vent through the cut hole in the underlay. Ensure that the base of the vent passes through fully without snagging the edges of the underlay.



6. Use slate fixing nails to secure the slate vent to the battens through the two slotted fixing areas shown. A copper disc rivet should be used to secure the bottom edge of the slate vent through the marked centre hole.

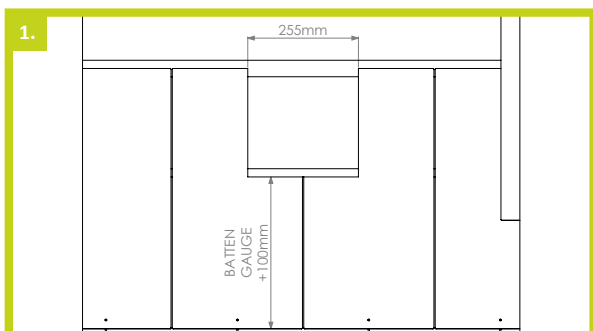


7. Now fit the slates at the sides of the vent and then continue to fit the rest of the slate courses up the roof.

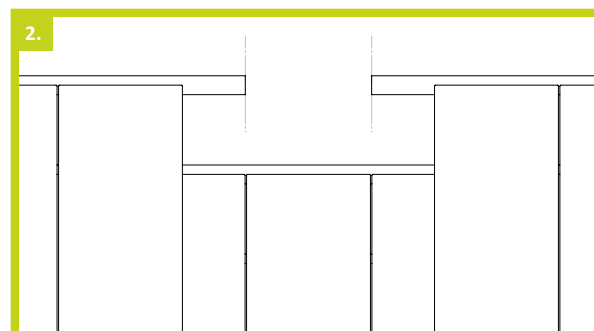


8. To connect the slate vent to a mechanical ventilation system or soil stack - connect the ductwork via the **RTV-ADIS** 110mm duct adapter underneath the vent. The optional **RTV-KIT1** 110mm Flexi-Pipe kit can be used to connect to 110mm duct/soil vent pipe. The **RTV-ADMULTI** stepped duct adapter can also be used and cut to size to convert the ductwork to other duct diameters.

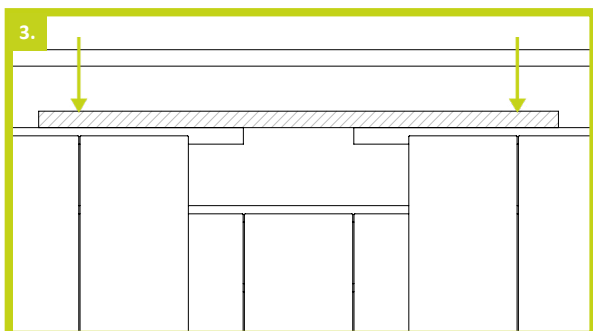
## Installation Steps – (250 (W) x 500mm (H) slates)



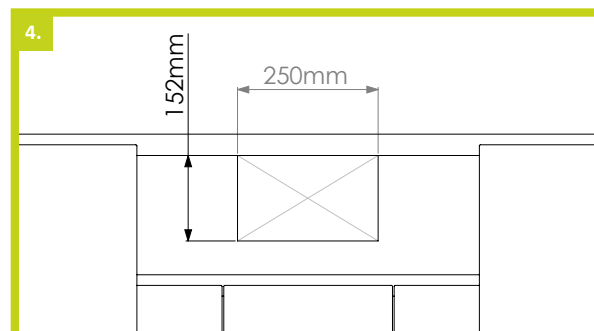
1. Complete installation steps 1 & 2 from the 300 (W) x 600mm (H) section on the previous pages.



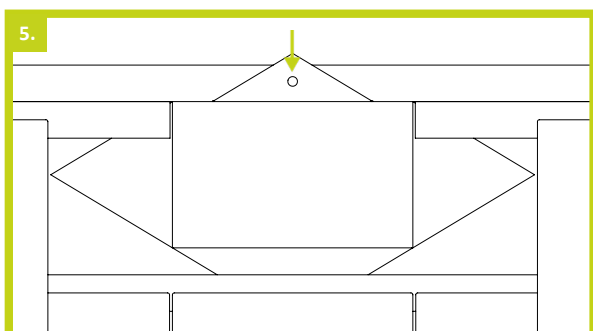
2. Mark out a 255mm section to be cut away from the batten under the vent space. The cut batten edges should line up with the cut slate edges. Then saw through the marks and remove the section of batten.



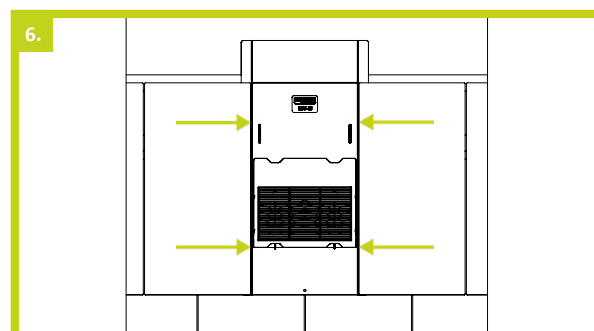
3. Now fix a support batten above where you have made the cut in the original batten. Use a section long enough to be supported by at least two or three rafters below then nail it into position through the rafters below.



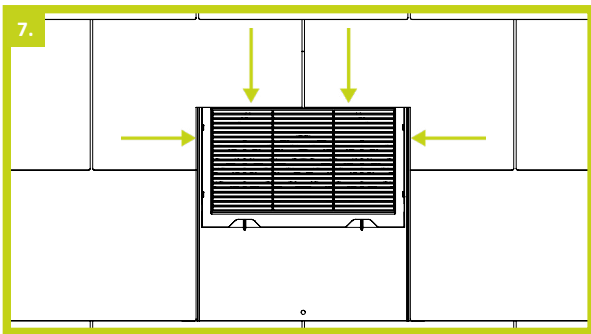
4. Cut along the diagonal cross shape lines then fold back the triangular flaps of the underlay to show the rectangular opening then fold the top tab tight against the batten and secure in place with a nail or staple.



5. Now carry on with installation steps 4 to 6 from the 300 (W) x 600mm (H) section on the previous pages.



6. For the 250mm (W) x 500mm (H) size, the slates fitted at either side should overlap the outer plastic edges of the slate vent and match up to the indented vertical channels.



7. If required at lower batten gauges the slates directly above the vent should be trimmed to sit flush above the grille section as shown.

## Roof Tile Vent Spacing Requirements

- To achieve an equivalent continuous opening of 5mm – space at 1.89m.
- To achieve an equivalent continuous opening of 10mm – space at 0.945m.
- To achieve an equivalent continuous opening of 25mm – space at 0.378m.

## Roof Tile Vent Installation Advice

- The Inline Slate Vents are compatible with roof pitches of 22.5° or above.
- The maximum headlap is 100mm.
- The Inline Slate Vent provides 9,450mm<sup>2</sup> free ventilation area per unit.
- When used with the RTV-ADIS Inline Slate Vent adapter the free ventilation area is reduced to 8,800mm<sup>2</sup>.
- If you wish to place the Inline Slate Vent at high level then it must not be situated on the tiling course directly below the ridge tiles.
- The Inline Slate Vent must not be used to provide exhaust for hot gases.
- Any ductwork that is connected to the Inline Slate Vent running through the loft or other unheated space must be fully insulated to ensure that condensation does not collect inside.
- The Inline Slate Vents must not be placed directly next to any hot parts of the roof.