



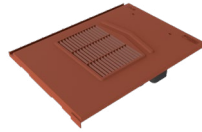
Castellated - RTV-C



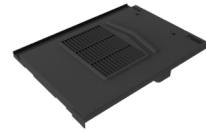
Double Pantile - RTV-DP



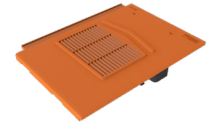
Double Roman - RTV-DR



Flat Edge - RTV-FE



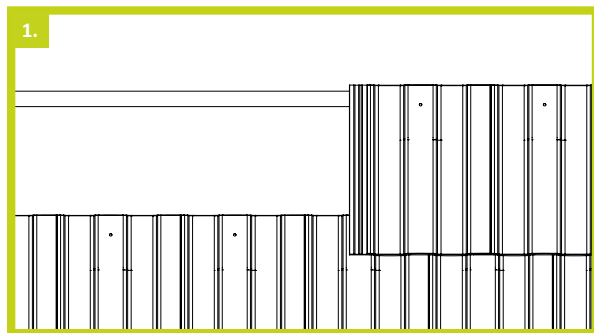
Non-Profile - RTV-NP



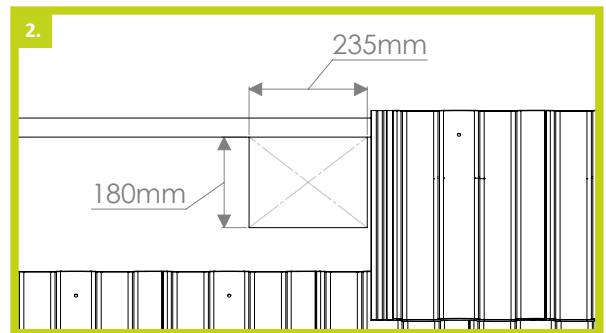
Thin Leading Edge - RTV-TE

## Roof Tile Vent Installation Guide - Large Format Profiled Tiles (RTV-C, RTV-DP, RTV-DR, RTV-TE, RTV-FE and RTV-NP)

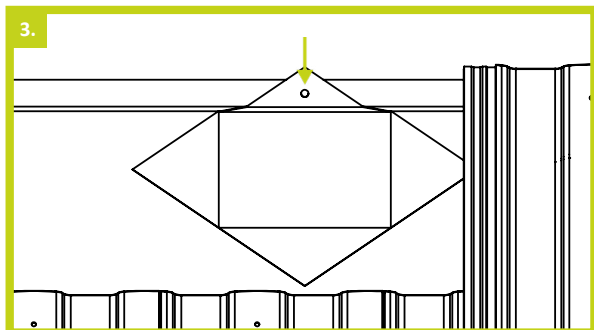
Profiled roof tile vent to enable ventilation directly into a roof space or connect to a ducted ventilation system



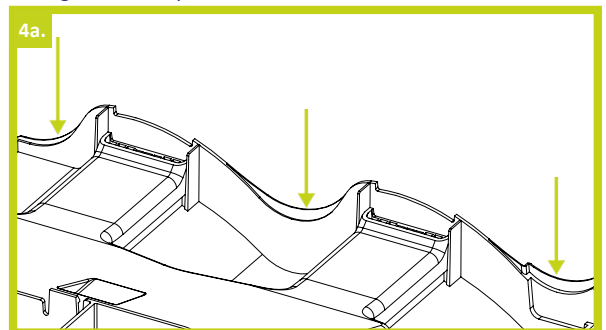
1. Install the roof tiles up to the tile space where the vent is required.



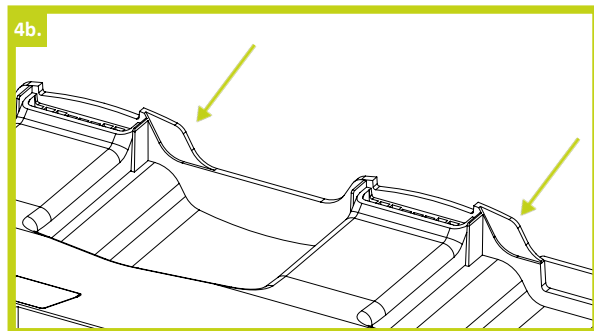
2. Mark out a rectangular area - 235mm (W) x 180mm (H) - directly below the batten on which the tile vent is to be placed. Mark an X shape through the centre of the rectangular area to guide when cutting the underlay.



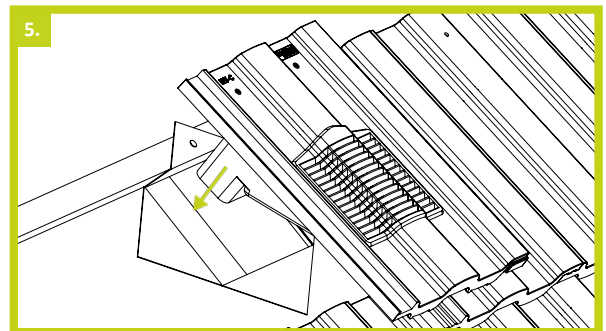
3. Cut along the X shape lines and fold back the triangular flaps of the underlay to show the rectangular opening. Fold the top tab tight against the batten and secure in place with a nail or staple.



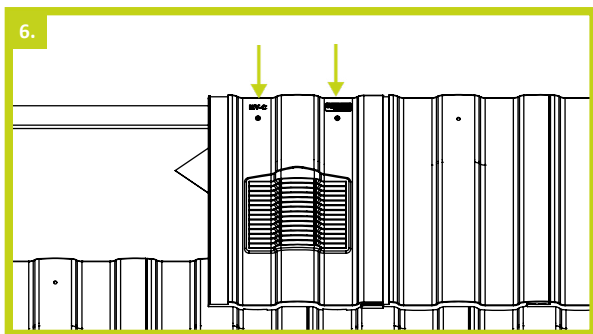
4a. If installing **RTV-DP** (Double Pantile) onto **Marley Mendip** or **Redland Grovebury** tiles, trim off the thin tab on the bottom edge of the tile vent, with a knife, to enable the vent to fit flush to the profile of the tiles.



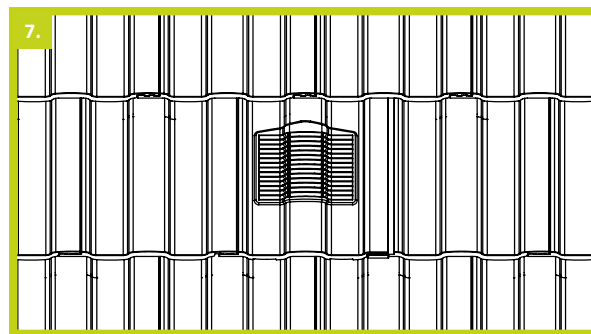
4b. If installing **RTV-C** (Castellated Tile Vent) onto **Redland Renown** tiles, trim off the two thin tabs on the bottom edge of the tile vent, with a knife, to enable the vent to fit flush to the profile of the tiles.



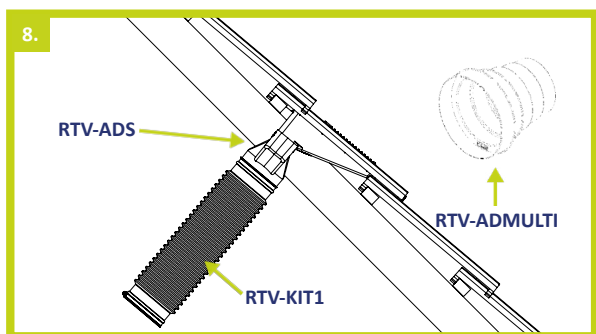
5. Insert the tile vent through the rectangular opening in the underlay and place the top edge of the tile vent over the batten. Ensure that the base spigot of the vent passes fully through the underlay without snagging the edges. Also ensure the length of the tile vent aligns over the adjacent tile, with the base tab positioned beneath.



6. Hammer roof tile nails into the two raised hole areas to secure the tile vent to the batten. The nails will pierce through the plastic.



7. Attach any manufacturer-recommended tile clips onto the tile vent and continue with the roof tile installation.



8. To connect the tile vent to a mechanical ventilation system or soil stack, use the **RTV-ADS** standard adapter and the **RTV-KIT1** Flexi-Pipe kit. The **RTV-ADMULTI** stepped duct adapter can also be used and cut to size to accommodate various duct diameters.

## Roof Tile Vent Spacing Requirements

- To achieve an equivalent continuous opening of 5mm – space at 2.0m.
- To achieve an equivalent continuous opening of 10mm – space at 1.0m.
- To achieve an equivalent continuous opening of 25mm – space at 0.4m.

## Roof Tile Vent Installation Advice

- The tile vents are compatible with roof pitches of 20° or above.
- The maximum tile headlap is 100mm.
- The tile vents provide 10,000mm<sup>2</sup> free ventilation area per unit.
- When used with the **RTV-ADS** standard adapter the free ventilation area is reduced to 8,800mm<sup>2</sup>.
- If you wish to place the tile vent at high level the tile vent must not be situated on the tiling course directly below the ridge tiles.
- The tile vents must not be used to provide exhaust for hot gases
- Any ductwork that is connected to the tile vent running through the loft or other unheated space must be fully insulated to ensure that condensation does not collect inside.
- The tile vents must not be placed directly next to any hot parts of the roof.