

INVENTIVE

Roof ventilation solutions

RTV-UNI | Universal Vent 20,000mm²

DATASHEET

Universal roof vent to enable ventilation directly into a roof space or connect to a ducted ventilation system

Use

- On roofs with any type of tile or slate roof covering
- Enables ventilation directly into a roof space
- Can also be connected to a ducted ventilation system inside the building

Features & Benefits

- Suitable for roofs with a minimum pitch of 12.5°
- Max free ventilation area of 20,000mm² when cut at 170mm diameter
- Max free ventilation area of 16,000mm² when cut at 150 diameter
- Max free ventilation area of 11,000mm² when cut at 125 diameter
- Max free ventilation area of 8,400mm² when cut at 110 diameter
- Designed to provide ventilation through all types and profiles of tile or slate
- Integrated lead alternative flashing provides a customisable fit
- Shaped to manage and channel rainwater back down onto the roof tiles and away from the vent opening
- UV stabilised top for continuous exposure to sunlight
- Lightweight and easy to handle

Quality

- Independently tested by BRE for deluge and wind driven rain to PD CEN/TR15601:2012
- BS EN 490:2011 Concrete roofing tiles and fittings for roof covering and wall cladding - product specifications (+A1:2017)
- BS 5250: 2021 Management of moisture in buildings - Code of practice
- BS 5534:2014 Slating and tiling for pitched roofs and vertical cladding - code of practice (+A2:2018)
- Manufactured to BS EN ISO 9001:2015 and BS EN ISO 14001:2015
- Complies with all relevant sections of the Building Regulations 2010
- Satisfies all relevant NHBC requirements

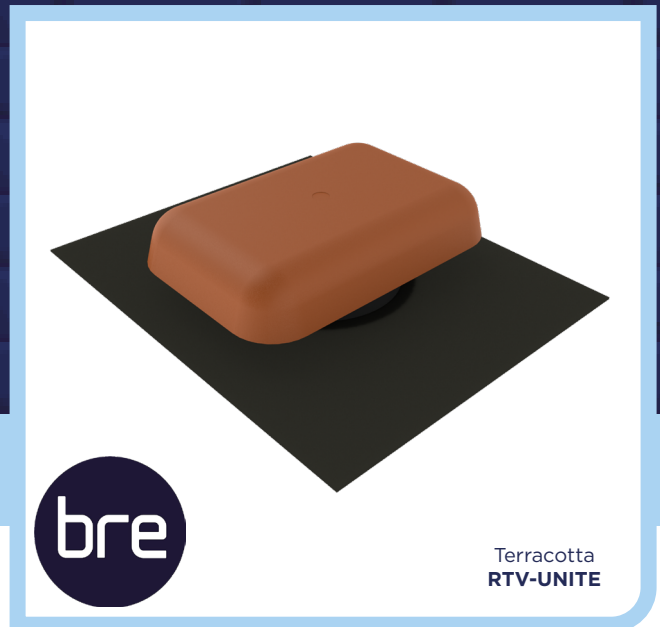
Compatibility

The alternative lead flashing sheet allows the Universal Roof Tile Vent to be installed onto all types of tile or slate roof covering.

Material & Colour

- Top - UV stabilised coloured injection moulded Polypropylene with textured finish
- Available in Terracotta, Brown, Grey, Red and Black
- DEKS Fast Flash Self Adhesive Lead Alternative in Black*
- *Visit the [DEKS website](#) for further information and for [installation advice](#)

DEKS
EASY TO WORK WITH



Terracotta
RTV-UNITE



Brown
RTV-UNIBR

Grey
RTV-UNIGR

Red
RTV-UNIRD

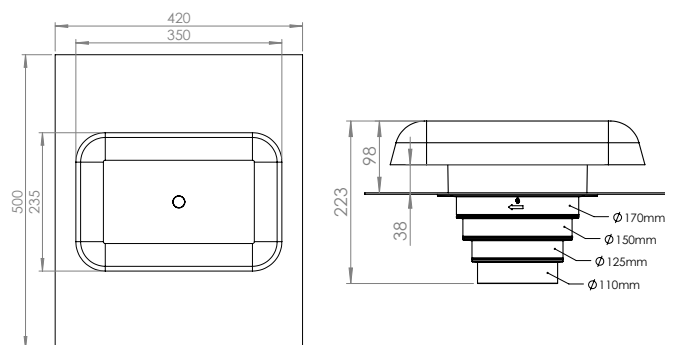
Black
RTV-UNIBL

Environmental Product Declaration

A quantification of environmental information regarding the life cycle of the Universal Vent. GWP total is for production stages A1-A3. Verified in accordance with ISO 14025. View the full EPD at [timloc.co.uk](#).

Product	EPD Reference	EPD Mass (KG)	GWP A1-A3 (KG CO ₂ e)
RTV-UNI	EPD HUB, HUB-2425	1.52	3.28E+00

Product Dimensions



Compatible Accessories

- Full datasheets available for all accessories

Description	Product Code	Product Image
110mm Flexi-Pipe to aid connection to ventilation duct or soil vent pipe	RTV-KITI	

Airflow Test Data

Flow Rate l/s	RTV-UNI (100mm duct)	RTV-UNI (125mm duct)
	Static pressure difference Pa	
15	1	1
30	2	3
45	4	7
60	6	12
75	10	19
90	14	27

Product Codes

Product Description	Colour	Weight	Box Quantity	Product Code	Pack Quantity	Pack Code	Pallet Quantity
Universal Roof Tile Vent	Terracotta	1.57kg	1	RTV-UNITE	4	RTVMULTI-UNITE	60
Universal Roof Tile Vent	Brown	1.57kg	1	RTV-UNIBR	4	RTVMULTI-UNIBR	60
Universal Roof Tile Vent	Grey	1.57kg	1	RTV-UNIGR	4	RTVMULTI-UNIGR	60
Universal Roof Tile Vent	Red	1.57kg	1	RTV-UNIRD	4	RTVMULTI-UNIRD	60
Universal Roof Tile Vent	Black	1.57kg	1	RTV-UNIBL	4	RTVMULTI-UNIBL	60

NB. RTV-UNI available in single, pack or pallet quantities. For pack quantities, 4 tile vent assemblies are packaged in one large box.