

# LAP VENT

## DATASHEET

### Refurbishment ventilator for existing roof spaces

#### Use

- To increase the level of ventilation in a roof space by separating lap joints in the roofing felt/membrane.
- Remedial solution for combating condensation in cold roof voids.
- Can be fitted retrospectively after increased loft insulation.

#### Features & Benefits

- Discrete profile design.
- Easy installation.
- 2 spring clips to secure each unit in place.

#### Quality

- Manufactured to British Standards: BS EN 9001 and BS EN 14001.

#### Technical Information

- 3000mm<sup>2</sup> additional free vent area per unit.
- Suitable for rafter spacings from 400-600mm centres.
- Designed only to enhance existing ventilation via felt/membrane lap joints.
- Consideration must be given to increased risk of wind uplift and driving rain resistance outlined in BS5534:2014.

#### Material & Colour

- Injection Moulded recycled polypropylene.
- Off-white.

#### How to Order

- Calculate quantity of lap vents based on the level of ventilation required.
- For typical installation allow 1 lap vent per alternate rafter spacing at low level.
- Increase ventilation by allowing additional lap vents at high level.
- For maximum ventilation allow lap vents to every rafter spacing.

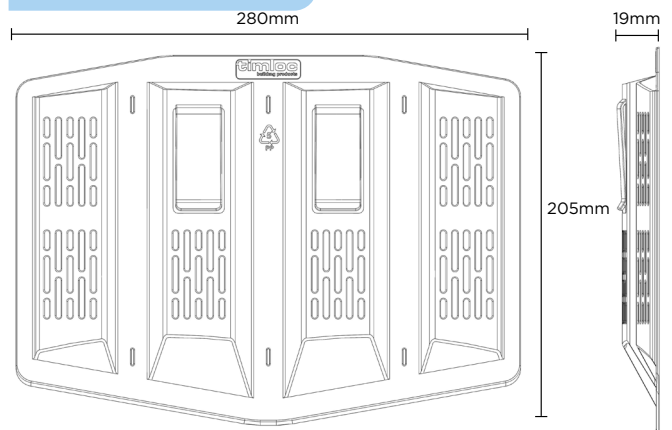


#### Environmental Product Declaration

A quantification of environmental information regarding the life cycle of the Lap Vent. GWP total is for production stages A1-A3. Verified in accordance with ISO 14025. View the full EPD at [timloc.co.uk](http://timloc.co.uk).

EPD Reference	EPD Mass (KG)	GWP A1-A3 (KG CO <sub>2</sub> e)
EPD HUB, HUB-1836	0.068	1.70E-03

#### Product Dimensions



## Installation Advice

- Allowing ventilation between roofing felt/membranes is secondary to eaves and/or ridge ventilation
- Lap vent simply slots between roof felt/membranes laps
- Position the lap vent clips facing down to hang on the edge of the roofing felt/membrane when in position
- Install one lap vent into every alternate rafter space at low level
- If further ventilation is required, install one lap vent into every rafter space at low level and/or into lap joints at higher levels
- The lap vents should be fitted to both sides of the roof space in order to provide cross-flow ventilation
- Installing lap vents alone will not meet minimum roof ventilation requirements. For guidance and regulations on roof space ventilation please refer to British Standard BS5250
- N.B. By specifying the lap vent, you acknowledge that the wind uplift loads on the tiles/slates and driving rain resistance of the membrane can be adversely affected.

## Product Codes

Description	Airflow	Colour	Pack Quantity	Lead Time	Product Codes
Lap vent	3000mm <sup>2</sup>	Off-white	10	Next Working Day	5560