

## Lap Vent

Refurbishment ventilator for existing roof spaces

### Use

- To increase the level of ventilation in a roof space by separating lap joints in the roofing felt/membrane.
- Remedial solution for combating condensation in cold roof voids
- Can be fitted retrospectively after increased loft insulation

### Features and Benefits

- Discrete profile design
- Easy installation
- 2 spring clips to secure each unit in place

### Technical Information

- 3000mm<sup>2</sup> additional free vent area per unit
- Suitable for rafter spacings from 400-600mm centres
- Designed only to enhance existing ventilation via felt/membrane lap joints
- Consideration must be given to increased risk of wind uplift and driving rain resistance outlined in BS5534:2014

### Quality

- Manufactured to British Standards: BS EN 9001 and BS EN 14001

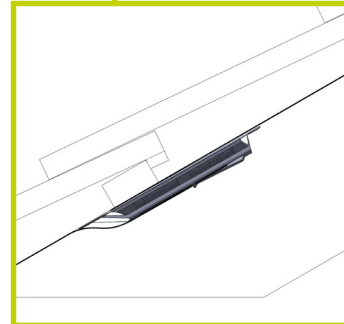
### Installation Advice

- Allowing ventilation between roofing felt/membranes is secondary to eaves and/or ridge ventilation
- Lap vent simply slots between roof felt/membranes laps
- Position the lap vent clips facing down to hang on the edge of the roofing felt/membrane when in position
- Install one lap vent into every alternate rafter space at low level
- If further ventilation is required, install one lap vent into every rafter space at low level and/or into lap joints at higher levels
- The lap vents should be fitted to both sides of the roof space in order to provide cross-flow ventilation
- Installing lap vents alone will not meet minimum roof ventilation requirements. For guidance and regulations on roof space ventilation please refer to British Standard BS5250

**N.B.** By specifying the lap vent, you acknowledge that the wind uplift loads on the tiles/slates and driving rain resistance of the membrane can be adversely affected

### Product Code

Height	Width	Length	Airflow	Colour	Pack Quantity	Product Code
19mm	280mm	205mm	3000mm <sup>2</sup>	Off-white	10	5560



### Material and Colour Choice

- Injection Moulded recycled Polypropylene
- Off-white

### How to Order

- Calculate quantity of lap vents based on the level of ventilation required
- For typical installation allow 1 lap vent per alternate rafter spacing at low level
- Increase ventilation by allowing additional lap vents at high level
- For maximum ventilation allow lap vents to every rafter spacing

### Product Dimensions

