

Z-SERIES

Metal 1 Hour Fire Rated Hinged Loft Access Doors - 1160 & 1161

High performance metal loft access doors with 1 hour fire protection



Z-Series Metal Fire Rated Loft Door - Z8004

Use

- To provide access through the ceiling into the ceiling void in situations where fire protection is required

Features and Benefits

- Compliant with NHBC standards for minimum access opening of 520mm
- Purpose made product with proven performance
- Superior to site fabricated panels
- Provides up to 60 minutes fire protection
- Excellent aesthetic appearance and factory finished
- Maintenance free, no need to paint
- Allows the use of a telescopic ladder if required
- Incorporates secure twist operated catch assembly
- Acoustic performance of 29dB
- U value 0.82 W/m²k and 0.35W/m²k options available
- Budget lock and key lock options available

Quality

- Independently fire tested
- Complies with Building Regulations document L1A & L2A (2013 Edition)
- Meets all relevant British Standards and NHBC requirements

Material and Colour Choice

- The frame and door are fabricated in 1mm and 1.2mm Zintec electro-galvanised mild steel
- The door is lined with a fire resistant sub-panel to enhance fire resistance and stability
- Polyester powder coating, lightly textured
- Door and frame available in white only RAL 9010

Installation Advice

- The Z8003 and Z8004 are designed to fit between trussed rafters or ceiling joints spaced at 600mm centres which provide a clear joint opening width of 562mm to be plasterboard lined to give 542mm
- If the joist spacing does not provide this opening width, a suitable trimmed opening must be formed
- It is essential that trimmers are installed between the ceiling joists across the ends of the frame
- The frame fixes with screws into the ceiling joists at the sides of the frame, and through the ends of the frame into the trimmers
- A 50mm tall by 10mm thick protective plasterboard surround is required along all four sides of the trimmed opening

Technical Considerations

- Timloc loft access doors contain glass wool insulation with a Thermal Conductivity of 0.037W/mK. For this reason a correction. U value of 0.004W/m²k should be calculated to the proposed U value figures for a ceiling (U value for a ceiling, not to exceed 0.16W/m²k)
- With reference to insulation, the products in this range do not use, contain or produce CFC's, ie. HCFC's & HFA's. The mineral wool insulation relies on entrapped air for its thermal properties; air is not a VOC and it does not have Global Warming Potential (GWP) or Ozone Depletion Potential (ODP).



Budget Lock



Key Lock

Bill of Quantity

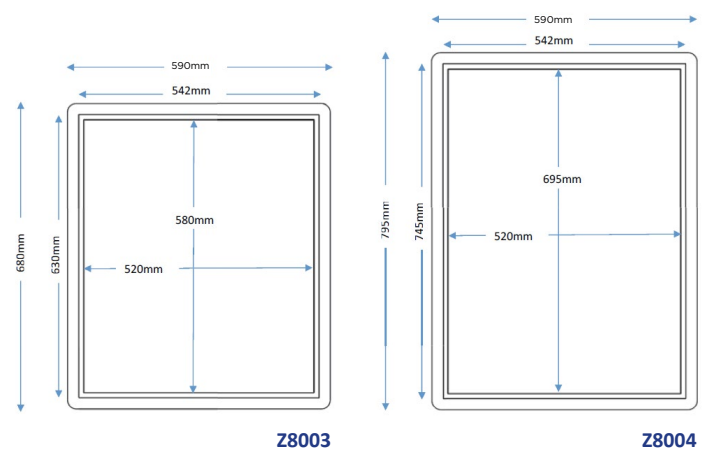
L20 Doors/Shutters/Hatches

Clause

630^ | HATCHES

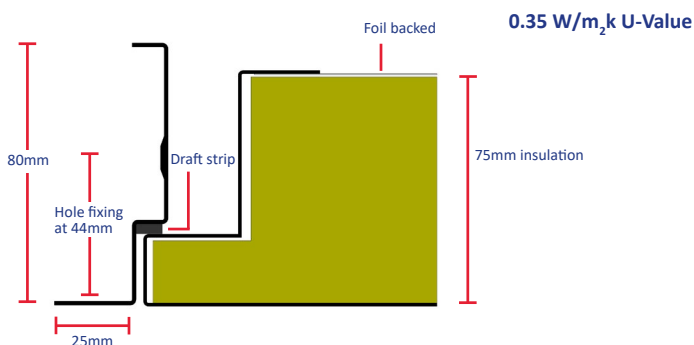
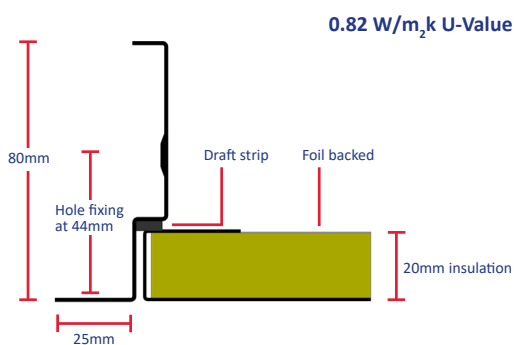
- Manufacturer: Timloc Building Products, Timloc House, Ozone Park, Howden, East Yorkshire, DN14 7SD. T: 01405 765567 W: www.timloc.co.uk
- Product reference: Example Z8003
- Type: Z-Series Metal 1 Hour Fire Rated Hinged Loft Access Door
- Z8003 to suit fitting 542mm x 630mm
- Specification: insulated and draught stripped
- Colour: textured white polyester powder coating - RAL 9010

Product Dimensions



Cross Sections

Metal 1-Hour Fire Rated Loft Access Doors



Product Codes

Metal 1 Hour Fire Rated Hinged Loft Access Doors

Description	Frame Fitting Size	Clear Opening Size	Overall Panel & Frame Size	Insulation U-value	Product Code
Z-Series Fire Rated Metal Loft Door 542x630mm	542 x 630mm	520 x 580mm	590 x 680mm	0.82 W/m ² k	Z8003
Z-Series Fire Rated Metal Loft Door 542x745mm	542 x 745mm	520 x 695mm	590 x 795mm	0.82 W/m ² k	Z8004

Metal 1 Hour Fire Rated Hinged Loft Access Doors - Key Lock

Description	Frame Fitting Size	Clear Opening Size	Overall Panel & Frame Size	Insulation U-value	Product Code
Z-Series Fire Rated Metal Loft Door 542x630mm - Key Lock	542 x 630mm	520 x 580mm	590 x 680mm	0.82 W/m ² k	ZKL8003
Z-Series Fire Rated Metal Loft Door 542x745mm - Key Lock	542 x 745mm	520 x 695mm	590 x 795mm	0.82 W/m ² k	ZKL8004

Metal 1 Hour Fire Rated Hinged Loft Access Doors - 0.35 U-Value

Description	Frame Fitting Size	Clear Opening Size	Overall Panel & Frame Size	Insulation U-value	Product Code
Z-Series Fire Rated Metal Loft Door 542x630mm - 0.35 U-Value	542 x 630mm	520 x 580mm	590 x 680mm	0.35 W/m ² k	Z9003
Z-Series Fire Rated Metal Loft Door 542x745mm - 0.35 U-Value	542 x 745mm	520 x 695mm	590 x 795mm	0.35 W/m ² k	Z9004

Metal 1 Hour Fire Rated Hinged Loft Access Doors - 0.35 U-Value Key Lock

Description	Frame Fitting Size	Clear Opening Size	Overall Panel & Frame Size	Insulation U-value	Product Code
Z-Series Fire Rated Metal Loft Door 542x630mm - Key Lock 0.35 U-Value	542 x 630mm	520 x 580mm	590 x 680mm	0.35 W/m ² k	ZKL9003
Z-Series Fire Rated Metal Loft Door 542x745mm - Key Lock 0.35 U-Value	542 x 745mm	520 x 695mm	590 x 795mm	0.35 W/m ² k	ZKL9004