

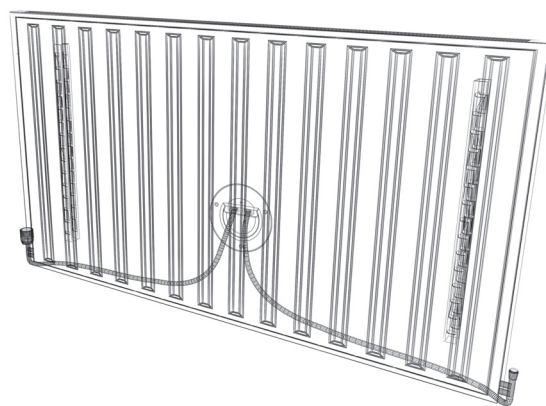
Radiator Pipework Air Barrier (Product Code: 1115)

Please read these instructions carefully before starting work.

We recommend that installation and preparations are carried out by a suitable tradesperson.

Use

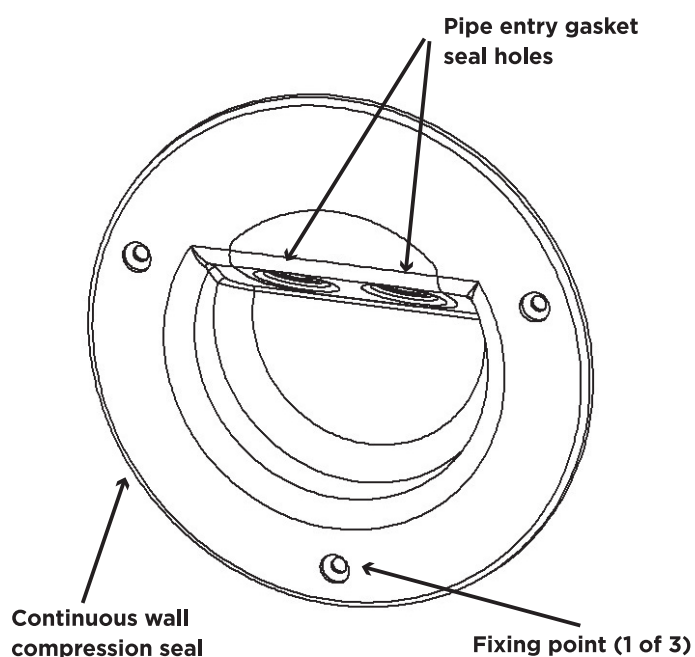
Designed to assist installation and seal flexible 10mm plastic radiator pipework as it exits from behind plasterboard walls - can help towards achieving the requirements of Building Regulation Part L.



To Install 1 Radiator Pipework Air Barrier (unit) You Will Need:

- 1 x hole saw (86, 90 or 100mm diameter) or a standard saw suitable for cutting into plasterboard
- 1 x pencil for marking up
- 1 x Pozidrive screw driver
- 3 x metal screws (no more than 4mm Pozidrive and Countersunk)
- 3 x wall plugs (to suit size of screw) suitable for plasterboard and medium weight use

IMPORTANT NOTE:
NOT SUITABLE FOR INSTALLATION
WITH ELECTRICAL BACK BOX



For further assistance:

T: 01405 765 567 E: technical@timloc.co.uk
W: www.timloc.co.uk

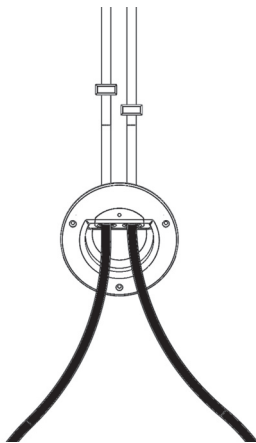


**A UK
MANUFACTURER**

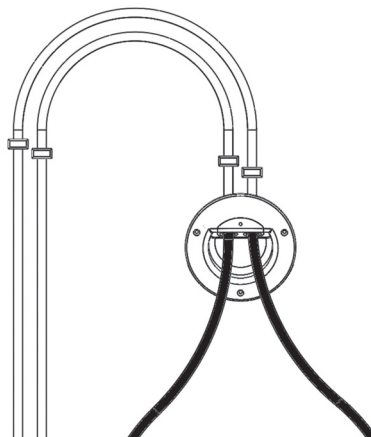
1. Suitable For

- a. Installation within all wall constructions that present a concealed pipe void including:
 - studded dry lined walls
 - plaster dab solid walls
- b. The unit will accept routed pipework from below (1a. ground floor), above (1b. upper floor) or horizontally (1c. i.e. under window).

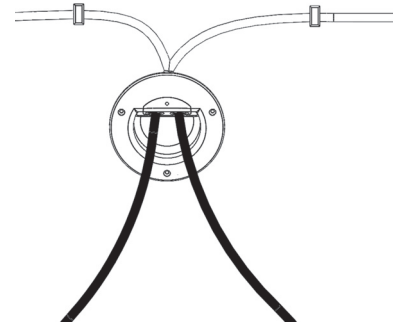
1a. Ground Floor Routing



1b. Upper Floor Routing



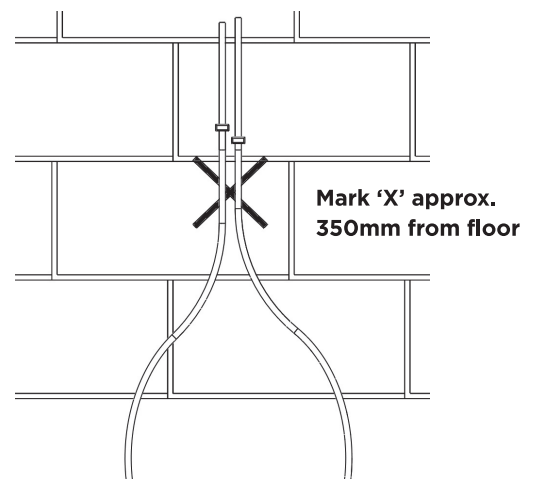
1c. Horizontal Routing



2. Positioning Unit

- a. Clearly mark the centre of the proposed exit hole for the radiator pipework with a cross 'X' on the wall:
 - approximately 350mm above the floor
 - central to the final radiator position
- b. Secure the pipework in place with pipe clips approximately 50mm above the marked 'X'.

2a.



IMPORTANT: CONSIDER THE RADIATOR STYLE AND SIZE FOR ANY FITTING HEIGHT VARIATION THAT MAY BE REQUIRED.

ALLOW CLEARANCE FOR THE RADIATOR WALL FIXING BRACKETS.

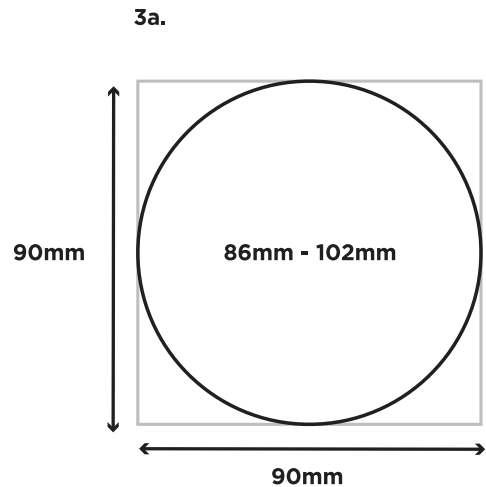
For further assistance:

**T: 01405 765 567 E: technical@timloc.co.uk
W: www.timloc.co.uk**

3. Preparing Pipework Entry Hole

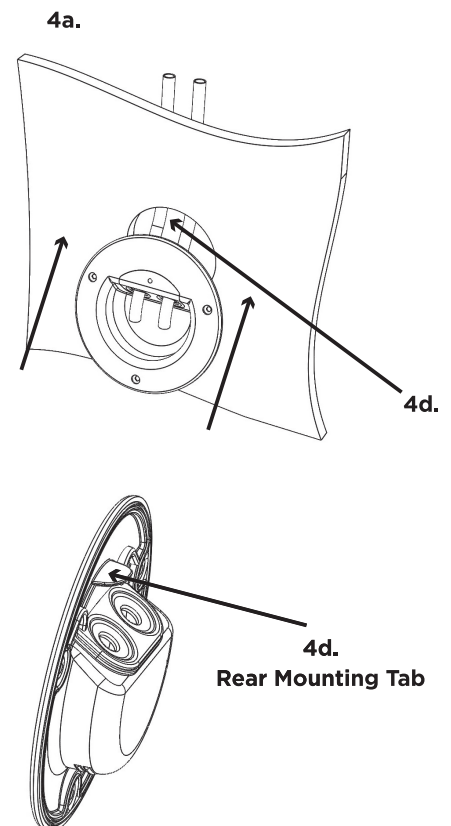
- Cut a round hole (86mm - 102mm diameter) into the plasterboard or a 90mm x 90mm square hole, ensuring that the midpoint of the marked 'X' is in the centre of the hole.
- Feed and secure the radiator pipework loop through the hole.
- The unit can be fixed at a later stage; therefore the plasterboard can be fixed and plastered as normal.

IMPORTANT: KEEP THE HOLE CLEAR AND CLEAN FROM PLASTER.



4. Preparing Screw Fixing Points

- Position the unit over the hole to enable pipework entry i.e. gasket seal holes facing down.
- Cut the radiator pipework loop at the midpoint into two equal lengths.
- Feed the two pipework lengths through the back of the unit via the pipe entry gasket seal holes.
- Locate the rear mounting tab (on the reverse of the unit) and position it in line with the midpoint of the top of the plasterboard hole and push the unit into the hole.
- With the unit in place, clearly mark the three screw hole locations onto the plasterboard.
- Withdraw the unit from the wall to allow access for fixing the three wall plugs.

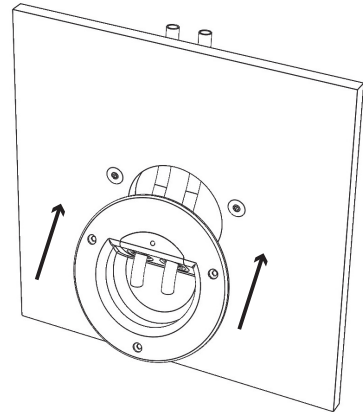


5. Permanent Fixing

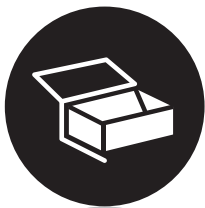
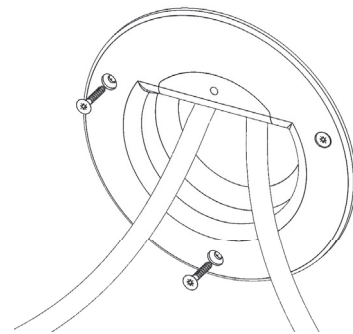
- Feed the unit back onto the pipework and offer the unit into the hole as before.
- Line up the unit's fixing holes to the wall plug holes and push the unit securely into the hole.
- Fix the three screws into the wall plugs.
- Loop the pipework to the radiator valves and connect in accordance with the radiator manufacturer's guidance.

IMPORTANT: DECORATORS CAULK OR ANOTHER SUITABLE SEALANT MAY BE REQUIRED ON UNEVEN WALL SURFACES AROUND THE PERIMETER OF THE UNIT PRIOR TO FINAL FIXING.

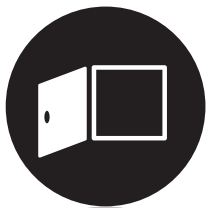
5a. & 5b.



5c.



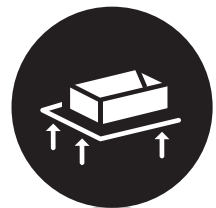
Cavity trays



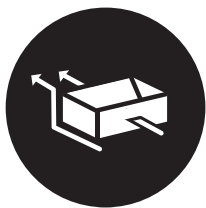
Access panels



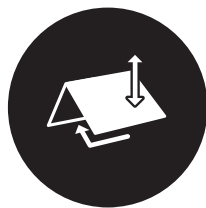
Loft access doors



Gas barrier and damp proofing accessories



Under floor and through wall ventilation



Roof ventilation



Cavity closers

Timloc Building Products do not accept responsibility for errors or misinterpretation of information. The customer should satisfy themselves that the products are suitable for the intended purpose.

Following its policy of continuing product improvement, Timloc Building Products reserves the right to introduce changes to the specification and modification of design at any time without due notice.

