

GAS METER BOX | UNIVERSAL SMART DATASHEET

Designed to house UK standard domestic smart gas meters

Use

- Designed to house UK standard domestic smart gas meters

Features & Benefits

- Designed for the standard smart gas meter installation kits
- Fire retardant to BS476, Part 7, Class 2
- Fitted meter bracket and safety door stay
- Will not corrode, weather resistant
- Easily cleaned
- Complete with hinges, lock and key
- Door opening front to back

Quality

- Satisfies all NHBC requirements
- Manufactured to BS EN ISO 9001-2015
- Complies with all relevant Building Regulations
- Meets all relevant British Standards

Material & Colour

- Manufactured from hot pressed glass reinforced plastic (GRP)
- Available in white only

Dimensions

- Overall: 500mm x 474mm x 303mm (H x W x D)

How to Order

- Order as each
- State product codes
- Supplied boxed and assembled with door

Disclaimer

- Due to the composition of GRP, surface blemishes including light scratches and pin holes should be anticipated on the meter box. These are inherent in the manufacturing process and will not affect the overall product functionality.



Replacement doors available

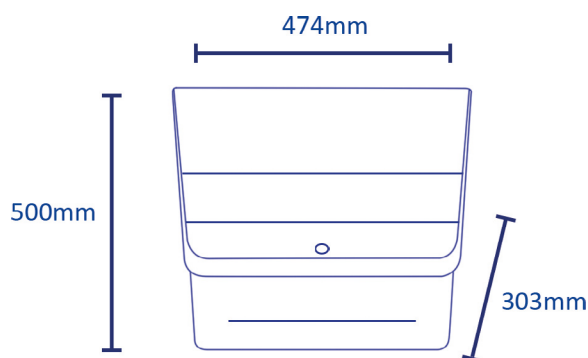


Sold in single quantities and individually boxed

Installation Advice

- This meter box should only be fitted by a suitably qualified person

Product Dimensions



Product Codes

Description	Colour	Product Code
Gas meter box - Universal Smart	White	30017
Replacement door - 549 x 383mm	White	30018