

# TELESCOPIC UNDERFLOOR VENT EXTENSION ACCESSORIES DATASHEET

## Accessories for various underfloor ventilation applications for 1201 / 1201XL / 1201XL+

### Use

- To provide horizontal or vertical extension to a telescopic underfloor ventilator to accommodate different wall/cavity/brick courses etc.
- To connect the ventilator to a duct.

### Features & Benefits

- Does not restrict airflow through the main telescopic underfloor vent.
- Purpose-made accessories eliminate the need for on site modifications.
- Lightweight and easy to handle.
- Durable and totally resistant to decay.

### Quality

- Satisfies all NHBC requirements.
- Manufactured to BS EN ISO 9001 and BS EN ISO 14001.
- Complies with all relevant Building Regulations.
- Meets all relevant British Standards.

### Material & Colour

- All accessories are injection moulded in polypropylene.
- All accessories are available in black only.

### Products in the System

#### Horizontal front extension sleeve - 1203

- Fits between the airbrick and upper front opening of the telescopic underfloor ventilator to accommodate external walls of more than 102.5mm thickness, up to a maximum of 215mm.

#### Vertical extension sleeve - 1204

- Fits between the upper and lower parts of the telescopic underfloor ventilator to accommodate a vertical step of 6 to 7 brick courses.

#### Duct adaptor - 1205

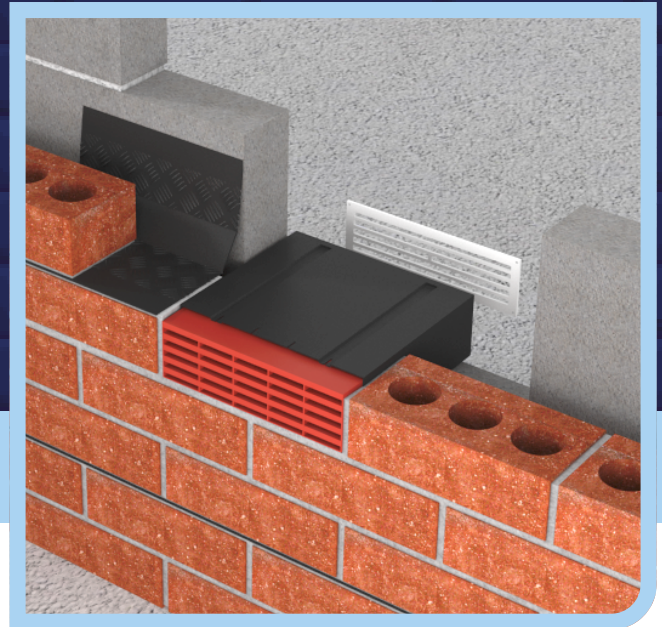
- Fits on to the lower rear opening of the telescopic underfloor ventilator to allow a standard 110mm external diameter plastic underground drainage pipe to be connected via a coupling connection.

#### Horizontal rear extension sleeve - 1206

- Fits into the lower rear opening of the telescopic underfloor ventilator to accommodate cavity widths between 50-150mm - or internal walls of more than 100mm thickness, up to a maximum of 200mm.

The table below shows how the build up of telescopic underfloor ventilators and vertical extension pieces achieve the required building in height.

Description	Brick Height	Rise (mm)
1201 telescopic underfloor vent	3-5	225/375
+1 no. 1204 vertical extension sleeve	6-7	450/525
+2 no. 1204 vertical extension sleeves	8-9	600/675
+3 no. 1204 vertical extension sleeves	10-11	750/825
+4 no. 1204 vertical extension sleeves	12-13	900/975



### Environmental Product Declaration

A quantification of environmental information regarding the life cycle of the Telescopic Underfloor Ventilator Accessories. GWP total is for production stages A1-A3. Verified in accordance with ISO 14025. View the full EPD at [timloc.co.uk](http://timloc.co.uk).

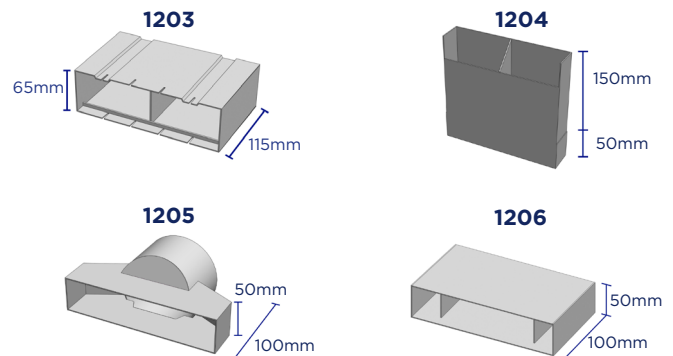
Product	EPD Reference	EPD Mass (KG)	GWP A1-A3 (KG CO2e)
1203	EPD HUB, HUB-1836	0.137	3.43E-03
1204	EPD HUB, HUB-1836	0.1442	3.61E-03
1205	EPD HUB, HUB-1836	0.118	2.95E-03
1206	EPD HUB, HUB-1836	0.124	3.10E-03

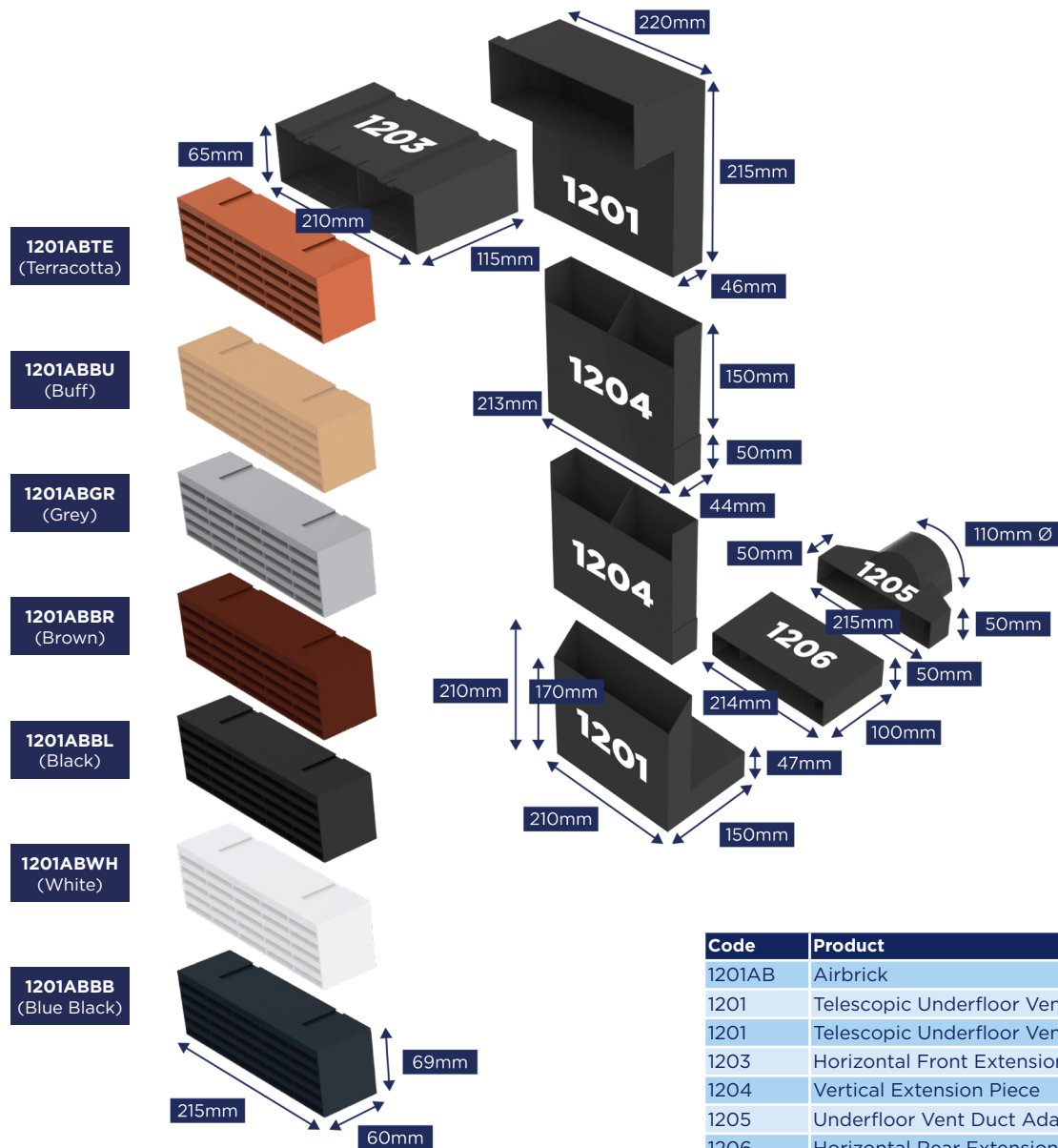
### Bill of Quantity

F30 Accessories/sundry items for brick/block/stone walling  
Clause 160 | AIRBRICK

- To BS493, Class 1, built in as the work proceeds.
- Manufacturer: Timloc Building Products, Timloc House, Ozone Park, Howden, East Yorkshire, DN14 7SD. T: 01405 765567 W: [www.timloc.co.uk](http://www.timloc.co.uk)
- Reference: Accessories
- Material: Polypropylene
- Colour: Black
- Optional Accessories:
  - 1203 Horizontal Front Extension (+115mm)
  - 1204 Vertical Extension Sleeve (additional 2 brick courses)
  - 1205 Duct Adaptor (suits 110mm diameter duct)
  - 1206 Horizontal Rear Extension (+100mm)

### Product Dimensions





Code	Product
1201AB	Airbrick
1201	Telescopic Underfloor Vent (upper half)
1201	Telescopic Underfloor Vent (lower half)
1203	Horizontal Front Extension Piece
1204	Vertical Extension Piece
1205	Underfloor Vent Duct Adapter
1206	Horizontal Rear Extension Piece

## Installation Advice

- 1203 should be fitted with the slotted end to accept the airbrick. 1203 sleeves can also be slotted together to form longer sections if required
- 1204 fits externally over the upper and lower parts of the ventilator, units can be multi stacked for greater height
- 1205 has a 'push-fit' opening for the drainage pipe. The vermin grille of the ventilator can be left in position. For fitting to drainage pipe a coupling will be required
- 1206 fits over the lower rear opening of the ventilator. The vermin grille must be removed to allow this & replaced at the other end of the extension sleeve. 1206s can be slotted together to form longer sections if required.
- To improve joins between the telescopic underfloor ventilator and an accessory, seal using insulating tape or duct tape
- When incorporating with a gas barrier system and adjusted to the required height, the joining sections should be sealed with proprietary tape

## Product Code

Description	To Suit	Colour	Pack Quantity	Lead Time	Product Codes
Horizontal front extension	+115mm	Black	20	Next Working Day	1203
Vertical extension sleeve	Additional 2 brick courses	Black	20	Next Working Day	1204
Duct adaptor	Suits 110mm diameter duct	Black	1	Next Working Day	1205
Horizontal rear extension	+100mm	Black	1	Next Working Day	1206