

GAS METER BOX | RECESSED DATASHEET

Designed to house UK standard domestic gas meters

Use

- Designed to house UK standard domestic single phase gas meters

Features & Benefits

- Supplied fully assembled with door fitted
- Compliant to British Standard BS 8567:2012
- Fire retardant to BS 476, Part. 7, 1997, Class 2
- Suitable for all standard domestic meters including prepay and smart
- Will not corrode, weather resistant
- Easily cleaned and can be painted
- Complete with spigot, lock and key
- Pin hinges on right

Quality

- Satisfies all NHBC requirements
- Manufactured to BS EN ISO 9001-2015
- Complies with all relevant Building Regulations
- Meets all relevant British Standards

Material & Colour

- Manufactured from hot pressed glass reinforced plastic (GRP)
- Available in white only

Dimensions

- Overall: 595mm x 409mm x 214mm (H x W x D)
- Recessed: 530mm x 363 x 150mm (H x W x D)

How to Order

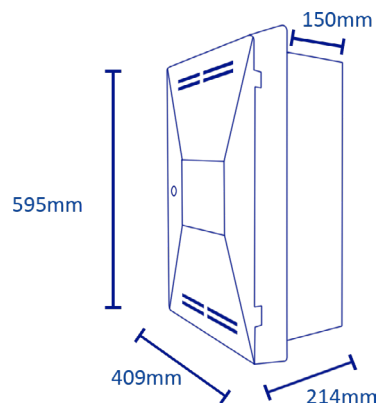
- Order as each
- State product codes
- Supplied boxed and assembled with door



Disclaimer

- Due to the composition of GRP, surface blemishes including light scratches and pin holes should be anticipated on the meter box. These are inherent in the manufacturing process and will not affect the overall product functionality.

Product Dimensions



Installation Advice

- This meter box should only be fitted by a suitably qualified person
- Minimum wall cut out of 535mm x 365mm required
- Build the box into the wall in the position specified, ensuring it does not bridge the damp proof course
- The base and sides of the box should be fully bedded into the mortar to hold it into the wall with the sides of the architrave touching the outer leaf of the brickwork
- A suitable Timloc cavity tray should be fitted as a damp proof course above and behind the box.
- Where a spigot is fitted, build the inner wall around it, filling any space between the spigot and the wall with mortar

Product Codes

Description	Colour	Product Code
Gas meter box - Recessed	White	30013
Replacement door - 549 x 383mm	White	30014

*Pin hinge fitting only - Not suitable for butt hinge type.