

DATASHEET

Designed to house UK standard domestic electric meters

Use

- Designed to house UK standard domestic single phase electric meters

Features & Benefits

- Supplied fully assembled with door fitted
- Compliant to British Standard BS 8567:2012
- Fire retardant to BS 476, Part. 7, 1997, Class 2
- Suitable for all standard domestic meters including prepay and smart
- Will not corrode, weather resistant
- Easily cleaned and can be painted
- Cable entry position via hockey stick (not supplied)
- Complete with timber backboard, lock and key
- Pin hinges on left

Quality

- Satisfies all NHBC requirements
- Manufactured to BS EN ISO 9001:2015
- Complies with all relevant Building Regulations
- Meets all relevant British Standards

Material & Colour

- Manufactured from hot pressed glass reinforced plastic (GRP)
- Available in white only

Dimensions

- Overall: 595mm x 410mm x 220mm (H x W x D)

How to Order

- Order as each
- State product codes
- Supplied boxed and assembled with door

Disclaimer

- Due to the composition of GRP, surface blemishes including light scratches and pin holes should be anticipated on the meter box. These are inherent in the manufacturing process and will not affect the overall product functionality.

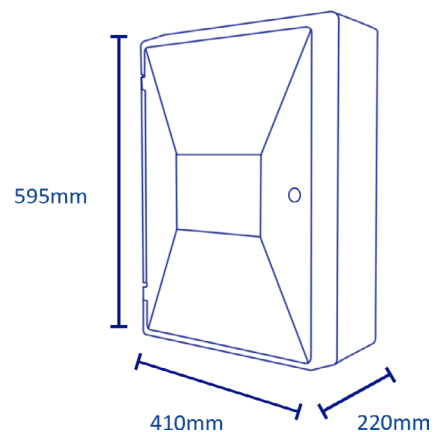


Replacement doors available



Sold in single quantities and individually boxed

Product Dimensions



Installation Advice

- This meter box should only be fitted by a suitably qualified person
- Back plate must be removed prior to installation and fixed to the wall
- Box should be fitted so that it is level with its base, ideally 500mm and 1500mm from the finished level
- Using the back plate for reference, mark the fixing holes on the wall, box must be level. Drill and plug the wall
- Secure box to the wall

Product Codes

Description	Colour	Product Code
Electric meter box - Surface mounted	White	30012
Replacement door - 549 x 383mm*	White	30008

*Pin hinge fitting only - Not suitable for butt hinge type.