



by **timloc**

EAVES VENT

DATASHEET

Efficient multi-functional ventilation system

Use

- For roof eaves ventilation.
- On roofs where the eaves incorporate a fascia board.
- On roofs which do not incorporate a soffit board or where an unbroken soffit board is required.

Features & Benefits

- Provides ventilation equivalent to a continuous 10mm opening (10,000mm² per metre run) and is supplied in 1m lengths.
- Efficient, very unobtrusive and easy to fit.
- Superior strength construction - will carry the weight of the bottom row of tiles.
- Performs several functions in a single product - over fascia ventilator, felt support/eaves protector and eaves bird comb filler.
- 4mm wide ventilation slots comply with BS 5250 : 2021.
- Durable and totally resistant to decay.
- UV stabilised and colourfast.
- Supplied in convenient 1m lengths.

Quality

- Satisfies all NHBC requirements.
- Manufactured to BS EN ISO 9001 and BS EN ISO 14001.
- Complies with all relevant Building Regulations.
- Meets all relevant British Standards.

Material & Colour

- Manufactured by injection moulding in high density polypropylene.
- Available in black only.

How to Order

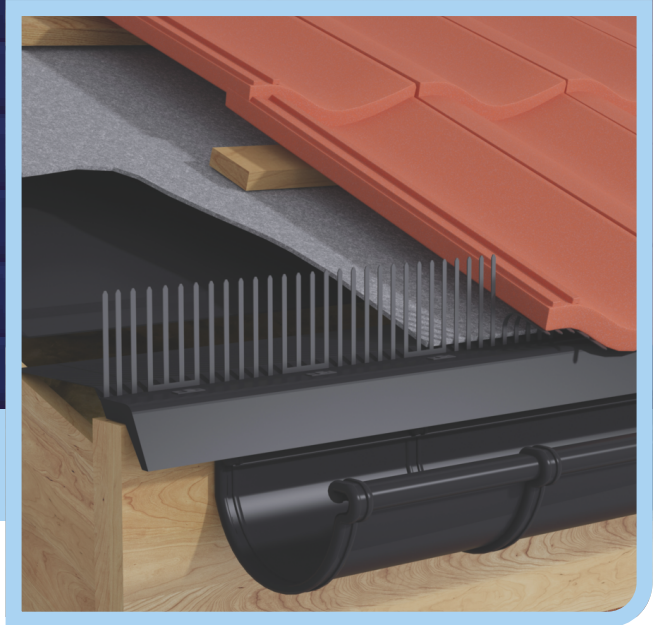
- Specify product code with C if integral eaves comb filler is needed.
- Measure the overall length of the eaves to be ventilated and divide by 1000mm to determine the number of ventilators required.

Bill of Quantity

G20 Carpentry/Timber Framing/First Fixing

Clause 910* | EAVES SOFFIT VENTILATION

- Manufacturer: Timloc Building Products, Timloc House, Ozone Park, Howden, East Yorkshire, DN14 7SD. T: 01405 765567 W: www.timloc.co.uk
- Product Reference: 3014C or 3014
- Type: Over Fascia Ventilation System (1000mm) 10mm Airflow
- Colour: Black
- Airway: Provide the equivalent of a continuous opening of not less than 10mm for the full length of eaves.

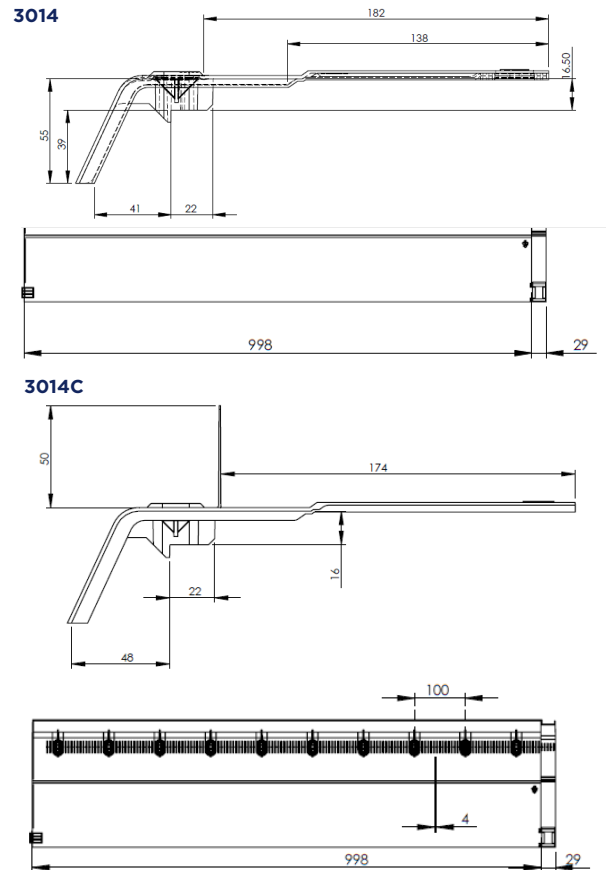


Environmental Product Declaration

A quantification of environmental information regarding the life cycle of the Eaves Vent. GWP total is for production stages A1-A3. Verified in accordance with ISO 14025. View the full EPD at timloc.co.uk.

Product	EPD Reference	EPD Mass (KG)	GWP A1-A3 (KG CO2e)
3014	EPD HUB, HUB-1836	0.47	1.18E-02
3014C	EPD HUB, HUB-1836	0.526	1.32E-02

Product Dimensions



Installation Advice

- Use to ventilate pitched roofs, where the pitch of the roof is 15 degrees or more, and the roof void is attic or loft space
- Make sure each ventilator is fixed securely into the top of the fascia board using screws or nails through the fixing holes provided
- Products designed so that the roofing felt will be cut back flush with the edge of the fascia board, and not dressed out into the gutter
- Ventilation must be provided for the full length of the eaves and along both sides of the building to create a cross flow ventilation action
- Please see technical section for more details.

Product Codes

Description	Free Airflow	Length	Colour	Pack Quantity	Lead Time	Product Codes
Eaves Vent	10,000mm ² per meter	1m	Black	20	Next Working Day	3014
Eaves Vent with eaves comb	10,000mm ² per meter	1m	Black	10	Next Working Day	3014C