

Designed for use with corbelled brickwork details

Use

- For roof eaves ventilation.
- On roofs where ventilation equivalent to a continuous 10mm opening is required.
- On roofs where the eaves are finished with corbelled masonry.
- On roofs which do not incorporate a soffit board or fascia board.

Features & Benefits

- Efficient, very unobtrusive and easy to fit.
- Superior strength construction - will carry the weight of the bottom row of tiles.
- Can be installed without having to drill the brickwork by using the special fixing clips provided and building them into the perp mortar joints.
- 4mm wide ventilation slots comply with BS 5250 : 2021.
- Durable and totally resistant to decay.
- UV stabilised and colourfast.
- Supplied in 2.4m lengths with a set of eight fixing clips per length.

Quality

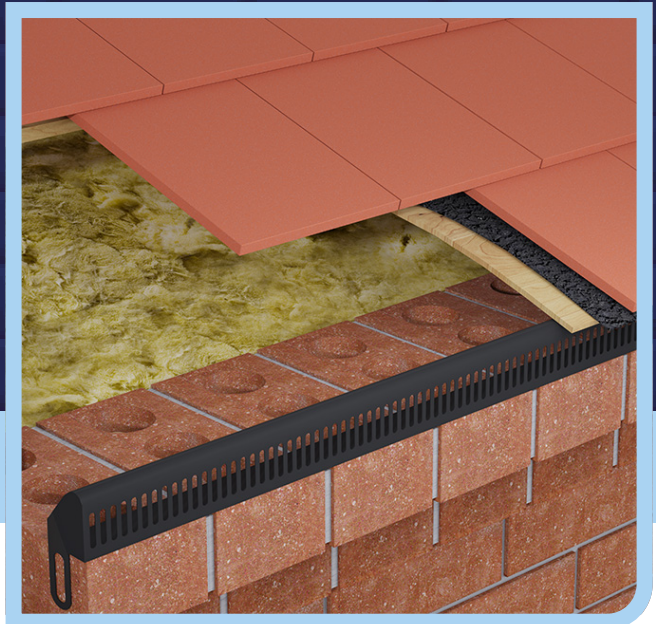
- Satisfies all NHBC requirements.
- Manufactured to BS EN ISO 9001 and BS EN ISO 14001.
- Complies with all relevant Building Regulations.
- Meets all relevant British Standards.

Material & Colour

- Manufactured by extrusion in UPVC.
- Available in black only.

How to Order

- Measure the overall length of the eaves to be ventilated and divide by 2.4m to determine the number of ventilators required.



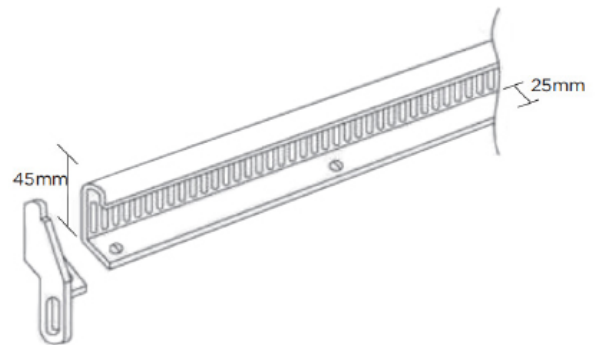
Bill of Quantity

G20 Carpentry/Timber Framing/First Fixing

Clause 900^ | EAVES SOFFIT VENTILATION

- Manufacturer: Timloc Building Products, Timloc House, Ozone Park, Howden, East Yorkshire, DN14 7SD. T: 01405 765567 W: www.timloc.co.uk
- Product Reference: 3012
- Type: Corbel Ventilator Strip 2.4m
- Colour: Black
- Airway: Provide the equivalent of a continuous opening of not less than 10mm for the full length of eaves.

Product Dimensions



Installation Advice

- Use to ventilate pitched roofs, where the pitch of the roof is 15 degrees or more, and the roof void is attic or loft space
- Do not use to ventilate pitched roofs where the pitch of the roof is less than 15 degrees, flat roofs or any roof where living accommodation is contained within the roof space
- Make sure each ventilator is fixed securely to the top row of corbelling using all eight clips provided
- It is advisable to provide a felt support above the corbel vent. This should project at least 15mm beyond the front of the vent to prevent felt from sagging between the rafters and to maintain a clear air path to the vent front
- Ventilation must be provided for the full length of the eaves and along both sides of the building to create a cross flow ventilation action
- Please see technical section for more details.

Product Codes

Description	Free Airflow	Vent Type	Length	Colour	Pack Quantity	Lead Time	Product Codes
Corbel roof eaves vent	10,000mm ² per meter	Slot	2.4m	White	10	Next Working Day	3012