

## 6M EAVES VENT PACK

# DATASHEET

### Easy-to-fit ventilation system in one pack

#### Use

- For pitched roof eaves ventilation.
- On standard pitched roofs.
- On roofs with rafter spacings of between 400mm and 600mm.

#### Features & Benefits

- Efficient and easy to fit.
- Durable and totally resistant to decay.
- Complete eaves ventilation in a single pack.

#### Quality

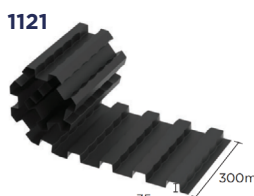
- Satisfies all NHBC requirements.
- Manufactured to BS EN ISO 9001 and BS EN ISO 14001.
- Complies with all relevant Building Regulations.
- Meets all relevant British Standards.

#### Material & Colour

- Over fascia ventilators are manufactured by injection moulding in polypropylene. Roll form eaves vent by vacuum forming in RPET and felt support panels extruded in UPVC.
- Available in black only.

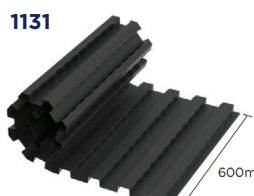
#### Products in the System

**1121**



35mm 300mm

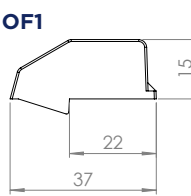
**1131**



35mm 600mm

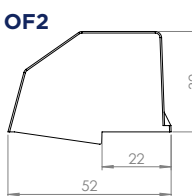
**1121 (300mm) or 1131 (600mm)**  
**Roll form eaves ventilator**  
 1x 6m roll is included in the pack.

**OF1**



15  
22  
37

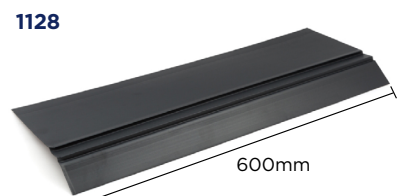
**OF2**



32  
22  
52

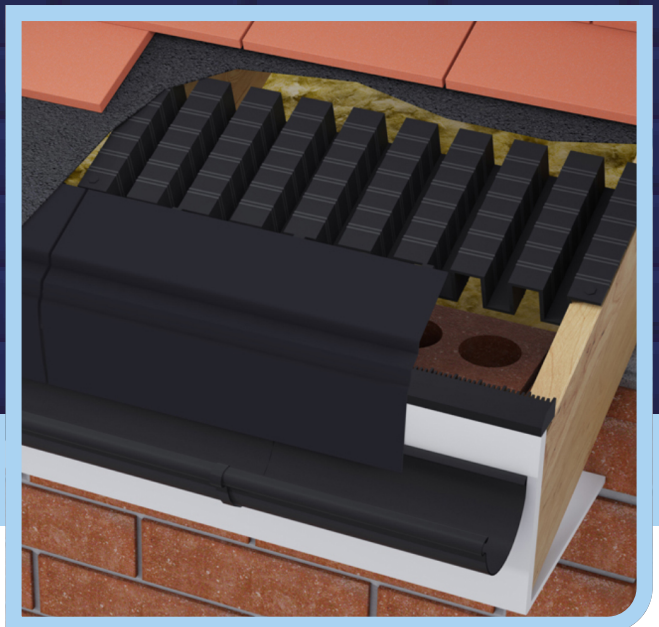
**OF1 (EVP6) or OF2 (EVP25)**  
**1m over fascia ventilator**  
 6x lengths are included in the pack.

**1128**



600mm

**1128**  
**Felt support panel**  
 10x 600mm lengths are included in the pack.



#### How to Order

- Measure the overall length of the eaves to be ventilated and divide by 6m to determine the number of packs required.

#### Compatibility

##### EVP6/600 & EVP6/25600

Single row of 600mm roll coverage suitable for:

Insulation depth	Min roof pitch °
100mm	17.5°
150mm	25°
200mm	35°
225mm	40°
250mm	45°

##### EVP6 & EVP6/25

Single row of 300mm roll coverage suitable for:

Insulation depth	Min roof pitch °
100mm	10°
200mm	17.5°
225mm	20°
250mm	22.5°
270mm	25°
300mm	27.5°
350mm	32.5°
400mm	37.5°

## Installation Advice

### Roll form eaves vents

- Unroll the ventilator along the rafters along the full length of the eaves. Position centrally above the wall plate. This is the narrowest part of the roof where the roof insulation is most likely to constrict the airflow. Push the corrugations down over the top of the rafters and secure using clout nails or staples.

### Over fascia vents

- Fix ventilators to the top edge of the fascia board using screws or nails through the fixing holes provided. Ventilation must be provided for the full length of the eaves and along both sides of the building to create a cross flow ventilation action. Felt support trays fit directly on top of the over fascia vent. Secure with clout nails driven into the top of the fascia board through the slots in the over fascia vent. Ensure each panel is allowed to overlap the next. Allow the rear of the panel to lay back on to the rafters.

## Product Codes

Description	Free Airflow	Roll Form Width	Length	Colour	Pack Qty	Lead Time	Product Codes
3 in 1 Eaves Vent Pack 10mm Airflow 6m (300mm Roll Out Rafter Tray)	10,000mm <sup>2</sup> per meter	300mm	6m	Black	10	Next Working Day	EVP6
3 in 1 Eaves Vent Pack 25mm Airflow 6m (300mm Roll Out Rafter Tray)	25,000mm <sup>2</sup> per meter	300mm	6m	Black	12	Next Working Day	EVP6/25
3 in 1 Eaves Vent Pack 10mm Airflow 6m (600mm Roll Out Rafter Tray)	10,000mm <sup>2</sup> per meter	600mm	6m	Black	5	Next Working Day	EVP6/600
3 in 1 Eaves Vent Pack 10mm airflow 6m (600mm Roll Out Rafter Tray)	25,000mm <sup>2</sup> per meter	800mm	6m	Black	6	Next Working Day	EVP6/25600

**NB. EVP6-25 contains a 25mm deep roll form eaves vent not 50mm.**