

# Z-SERIES

## Metal 1 Hour Fire Rated Hinged Loft Access Doors - (Previously known as 1160 & 1161)

High performance metal loft access doors with 1 hour fire protection

### Use

- To provide access through the ceiling into the ceiling void in situations where fire protection is required

### Features and Benefits

- Compliant with NHBC standards for minimum access opening of 520mm
- Purpose made product with proven performance
- Superior to site fabricated panels
- Provides up to 60 minutes fire protection
- Excellent aesthetic appearance and factory finished
- Maintenance free, no need to paint
- Allows the use of a telescopic ladder if required
- Incorporates secure twist operated catch assembly
- Acoustic performance of 29dB
- U value 0.82 W/m<sup>2</sup>K and 0.35W/m<sup>2</sup>K options available
- Budget lock and key lock options available

### Quality

- Independently fire tested
- Complies with Building Regulations document L1A & L2A (2013 Edition)
- Meets all relevant British Standards and NHBC requirements

### Material and Colour Choice

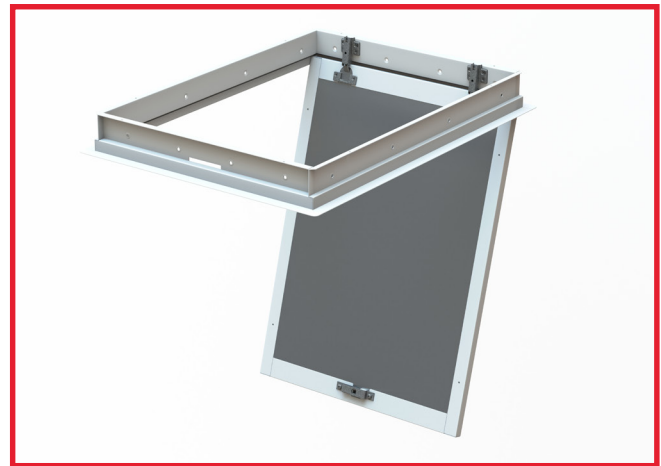
- The frame and door are fabricated in 1mm and 1.2mm Zintec electro-galvanised mild steel
- The door is lined with a fire resistant sub-panel to enhance fire resistance and stability
- Polyester powder coating, lightly textured
- Door and frame available in white only RAL 9010

### Installation Advice

- The Z8003 and Z8004 are designed to fit between trussed rafters or ceiling joints spaced at 600mm centres which provide a clear joist opening width of 562mm to be plasterboard lined to give 542mm
- If the joist spacing does not provide this opening width, a suitable trimmed opening must be formed
- It is essential that trimmers are installed between the ceiling joists across the ends of the frame
- The frame fixes with screws into the ceiling joists at the sides of the frame, and through the ends of the frame into the trimmers
- If timber is used to trim the structural opening, then a layer of plasterboard or other proprietary material must be used to protect the timber.

### Technical Considerations

- Timloc loft access doors contain glass wool insulation with a Thermal Conductivity of 0.037W/mK. For this reason a correction. U value of 0.004W/m<sup>2</sup>K should be calculated to the proposed U value figures for a ceiling (U value for a ceiling, not to exceed 0.16W/m<sup>2</sup>K)
- With reference to insulation, the products in this range do not use, contain or produce CFC's, ie. HCFC's & HFA's. The mineral wool insulation relies on entrapped air for its thermal properties; air is not a VOC and it does not have Global Warming Potential (GWP) or Ozone Depletion Potential (ODP).



Z-Series Metal Fire Rated Loft Door - Z8004



Budget Lock



Key Lock

### Bill of Quantity

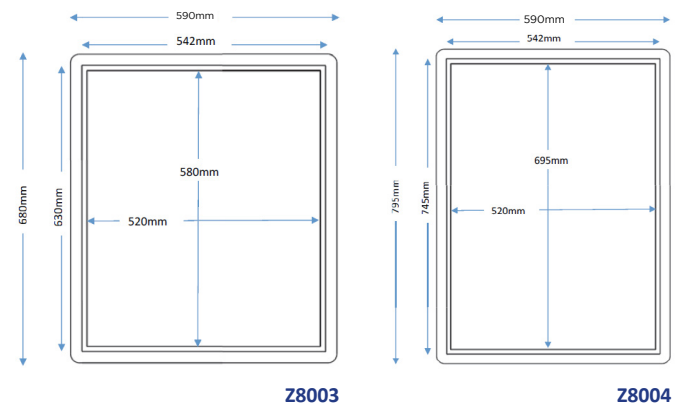
L20 Doors/Shutters/Hatches

Clause

630^ | HATCHES

- Manufacturer: Timloc Building Products, Timloc House, Ozone Park, Howden, East Yorkshire, DN14 7SD. T: 01405 765567 W: www.timloc.co.uk
- Product reference: Example Z8003
- Type: Z-Series Metal 1 Hour Fire Rated Hinged Loft Access Door
- Z8003 to suit fitting 542mm x 630mm
- Specification: insulated and draught stripped
- Colour: textured white polyester powder coating - RAL 9010

### Product Dimensions

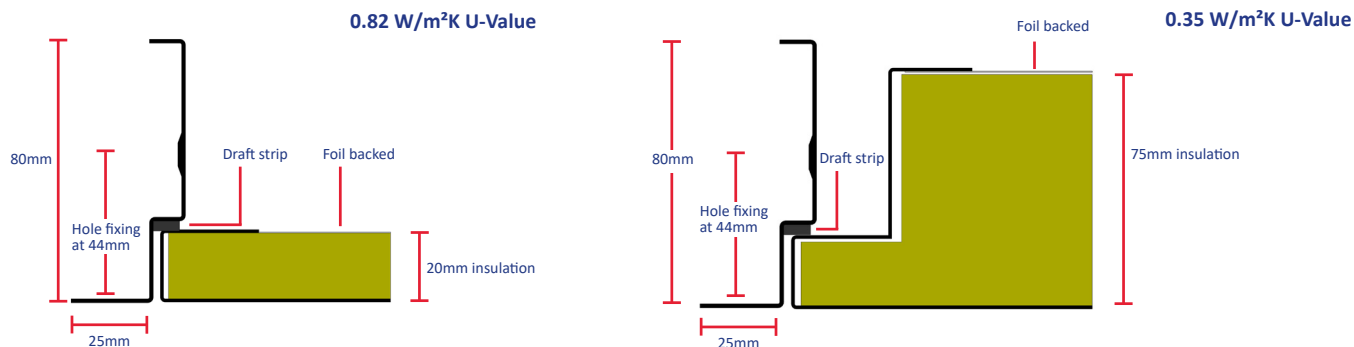


Z8003

Z8004

## Cross Sections

### Metal 1-Hour Fire Rated Loft Access Doors



## Product Codes

### Metal 1 Hour Fire Rated Hinged Loft Access Doors

Description	Frame Fitting Size	Clear Opening Size	Overall Panel & Frame Size	Insulation U-value	Product Codes
Z-Series Fire Rated Metal Loft Door 542x630mm	542 x 630mm	520 x 580mm	590 x 680mm	0.82 W/m <sup>2</sup> K	Z8003
Z-Series Fire Rated Metal Loft Door 542x745mm	542 x 745mm	520 x 695mm	590 x 795mm	0.82 W/m <sup>2</sup> K	Z8004

### Metal 1 Hour Fire Rated Hinged Loft Access Doors - Key Lock

Description	Frame Fitting Size	Clear Opening Size	Overall Panel & Frame Size	Insulation U-value	Product Codes
Z-Series Fire Rated Metal Loft Door 542x630mm - Key Lock	542 x 630mm	520 x 580mm	590 x 680mm	0.82 W/m <sup>2</sup> K	ZKL8003
Z-Series Fire Rated Metal Loft Door 542x745mm - Key Lock	542 x 745mm	520 x 695mm	590 x 795mm	0.82 W/m <sup>2</sup> K	ZKL8004

### Metal 1 Hour Fire Rated Hinged Loft Access Doors - 0.35 U-Value

Description	Frame Fitting Size	Clear Opening Size	Overall Panel & Frame Size	Insulation U-value	Product Codes
Z-Series Fire Rated Metal Loft Door 542x630mm - 0.35 U-Value	542 x 630mm	520 x 580mm	590 x 680mm	0.35 W/m <sup>2</sup> K	Z9003
Z-Series Fire Rated Metal Loft Door 542x745mm - 0.35 U-Value	542 x 745mm	520 x 695mm	590 x 795mm	0.35 W/m <sup>2</sup> K	Z9004

### Metal 1 Hour Fire Rated Hinged Loft Access Doors - 0.35 U-Value Key Lock

Description	Frame Fitting Size	Clear Opening Size	Overall Panel & Frame Size	Insulation U-value	Product Codes
Z-Series Fire Rated Metal Loft Door 542x630mm - 0.35 U-Value Key Lock	542 x 630mm	520 x 580mm	590 x 680mm	0.35 W/m <sup>2</sup> K	ZKL9003
Z-Series Fire Rated Metal Loft Door 542x745mm - 0.35 U-Value Key Lock	542 x 745mm	520 x 695mm	590 x 795mm	0.35 W/m <sup>2</sup> K	ZKL9004