

# 1201XL Telescopic Underfloor Ventilator

Adjustable ventilator for ground floors up to 7 brick courses

Incorporates vermin grille

Horizontal & vertical extension accessories available

## Use

- To provide ventilation below suspended ground floors

## Features and Benefits

- Telescopic and adjustable for a step of 5, 6 or 7 brick courses
- Suited for 50-150mm cavity width construction
- Horizontal and vertical extension accessories available
- Free area of 8000mm<sup>2</sup> per unit when installed without 1201AB airbrick
- Free area of 6500mm<sup>2</sup> per unit when installed with 1201AB airbrick
- Equivalent area of 6170mm<sup>2</sup> per unit when installed with 1201AB airbrick
- Special grille included to prevent entry of vermin
- Durable, robust and totally resistant to decay

## Quality

- Satisfies all NHBC requirements
- Manufactured to BS EN ISO 9001 and BS EN ISO 14001
- Complies with all relevant Building Regulations
- Meets all relevant British Standards

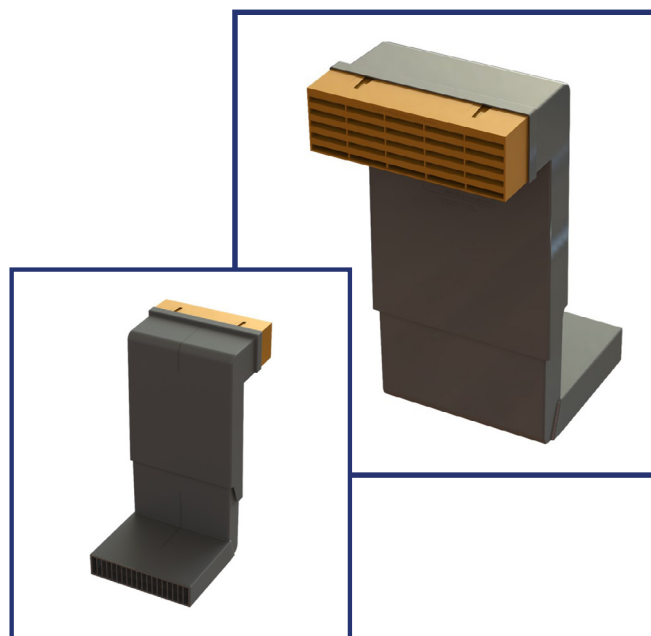
## Material and Colour Choice

- Manufactured by injection moulding in polypropylene
- Available in black only

## Installation Advice

- Always use in conjunction with a Timloc airbrick
- The airbrick and upper front opening of the telescopic underfloor ventilator must be positioned above the finished external ground level - usually at the same level as the ground level DPC
- The lower rear opening of the product must project down to the level of the underfloor void and must not be obstructed by the floor construction. A vertical extension sleeve is available to fit with this product if the standard 7 course step is not adequate
- Building Regulations require a free airflow below suspended ground floors of at least 1500mm<sup>2</sup> per metre run of wall. This can be achieved by spacing the ventilators at 4m centres, however, such a wide spacing is not recommended as stagnant air pockets could form in the underfloor void. Timloc recommend a spacing of not more than 2m centres to comply with NHBC standards.
- The NHBC recommend that underfloor ventilators are spaced at a maximum of 2m centres, with ventilators also positioned not more than 450mm from the ends of the wall
- As a minimum requirement ventilators should be positioned down two opposite sides of the building so as to create a cross flow ventilation action. It is good practice to position ventilators around the full perimeter of the building, particularly with complex building designs
- If the underfloor void is separated by dividing walls, openings must be provided to allow a free flow of air around the underfloor void
- The standard ventilator will fit into a cavity wall with an external leaf of 100-102.5mm, a minimum cavity width of 50mm and across a cavity of 150mm. External and internal horizontal extension sleeves are available to accommodate thicker walls or wider cavities
- To be installed with a DPC Cavity tray and wall weeps to collect any water ingress. We recommend Timloc's IL4 and 2 weeps (Invisiweep or 1143)
- When incorporating with a gas barrier system and adjusted to the required height, the joining sections should be sealed with proprietary tape.
- It may be a requirement to protect with a lintel for direct loads

**N.B.** The 1201XL is designed for use with a 1201AB airbrick. It can be used with a clay airbrick but this will reduce the overall airflow.



## How to Order

- Measure the length of each wall requiring telescopic underfloor ventilators and divide by 2m to establish the quantity required
- Always round up if the calculation does not work out to an exact whole number
- To be installed with a DPC cavity tray and wall weeps to collect any water ingress. We recommend Timloc's IL4 and 2 weeps (Invisiweep or 1143)

## Bill of Quantity

F30 Accessories/sundry items for brick/block/stone walling  
Clause

160 | AIR BRICK

- To BS493, Class 1, built in as the work proceeds.
- Manufacturer: Timloc Building Products, Timloc House, Ozone Park, Howden, East Yorkshire, DN14 7SD. T: 01405 765567, W: www.timloc.co.uk
- Reference: 1201XL Telescopic Underfloor Ventilator
- Design: Rectangular
- Work size: Each unit 375/525mm coursing x 220mm
- Material: Thermoplastic
- Colour: Black
- Optional Accessories:
  - 1203 Horizontal Front Extension (+115mm)
  - 1204 Vertical Extension Sleeve (additional 2 brick courses)
  - 1205 Duct Adaptor (suits 110mm diameter duct)
  - 1206 Horizontal Rear Extension (+100mm)

## Product Code

Description	Coursing Height	Pack Qty	Product Code
Telescopic Underfloor Vent	5-7 courses	10	1201XL

## Product Dimensions

