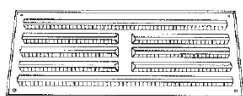


# Internal Grilles & Airbrick Cowls

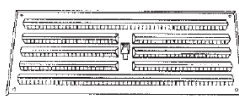
Attractive products for sustaining airflow and reducing draughts



Plastic louvre grille



Plastic louvre grille with flyscreen



Plastic hit and miss grille

## Use

- To cover the inner opening on the cavity sleeve and provide a neater appearance while still maintaining a free flow of air
- To provide an external cowl over the airbrick to help reduce draughts caused by wind blasts

## Features and Benefits

- Aesthetically pleasing
- Simple screw fixing
- Excellent airflow properties
- Durable and totally resistant to decay

## Quality

- Satisfies all NHBC requirements
- Manufactured to BS EN ISO 9001 and BS EN ISO 14001
- Complies with all relevant Building Regulations
- Meets all relevant British Standards

## Material and Colour Choice

### Plastic grilles

- Manufactured by injection moulding in ABS/HIPS
- Available in white only

### Metal grilles

- Manufactured in high quality pressed aluminium
- Grilles are available in three types of finish, plain aluminium, brass anodised and polished brass

### External cowls

- Manufactured by injection moulding in polypropylene
- Cowls are available in white, brown and terracotta

## Products in the System

Timloc offer a complete range of high quality plastic grilles which cover the internal opening of the cavity sleeve and provide a neat appearance

### Louvre grilles

A permanently open vent with no flyscreen or closing method but with visible airflow marking to comply with the requirements of BS5440 Part 2 2009 : BS EN 13141-1 : 2004.

### Louvre grilles with flyscreen

A permanently open vent with a fixed flyscreen but no airflow indication.

### Adjustable (hit and miss) grilles

Can be open or closed with an integral flyscreen but no airflow indication.

## Installation Advice

- Internal grilles should be positioned over the internal opening of the cavity sleeve and fixed to the wall using screws and wall plugs
- External cowls are positioned over the face of the airbrick and fixed to the wall using screws and wall plugs. The opening of the cowl should face down towards the ground
- Never block or restrict the flow of air through these ventilators. The louvre grilles have no insect screen fitted - in order to comply with British Gas requirements
- Use open louvre grilles when ventilating a gas or heat producing appliance - never use hit & miss grilles in such situations

## How to Order

- State the grille or cowl size, and whether louvre, flyscreen or hit & miss grilles are required

## Bill of Quantity

### Cowl range

#### F30 Accessories/sundry items for brick/block/stone walling

#### Clause

#### 171 VENTILATION DUCTS

- To BS493, Class 1, built in as the work proceeds.
- Manufacturer: Timloc Building Products, Timloc House, Ozone Park, Howden, East Yorkshire, DN14 7SD. T: 01405 765567 W: www.timloc.co.uk
- Reference: ABC Cowl Range
- Use: To provide an external cowl over the airbrick to help reduce draughts caused by wind blasts.

### Plastic & metal wall grilles 1200 range

#### U90 General Ventilation - Domestic

#### INTERNAL WALL VENTILATION

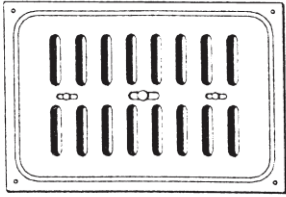
- Manufacturer: Timloc Building Products, Timloc House, Ozone Park, Howden, East Yorkshire, DN14 7SD. T: 01405 765567, W: www.timloc.co.uk
- Reference: Reference: Plastic & Metal wall grilles 1200 range
- Use: To cover the inner opening on the cavity sleeve and provide an aesthetically acceptable appearance, while still maintaining a free flow of air. Available in a range of airflow sizes with both colour and finish options.

## Product Codes

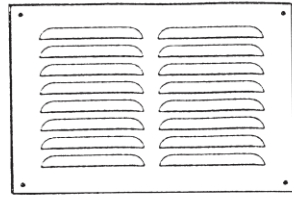
Equivalent Area	Equivalent Area (Flyscreen)	Product Code
4100mm <sup>2</sup>	2350mm <sup>2</sup>	1218 (6 x 3 louvred)
7600mm <sup>2</sup>	3750mm <sup>2</sup>	1207 (9 x 3 louvred)
11300mm <sup>2</sup>	7150mm <sup>2</sup>	1211 (9 x 6 louvred)
16500mm <sup>2</sup>	8190mm <sup>2</sup>	1212 (9 x 9 louvred)

# Internal Grilles & Airbrick Cowls

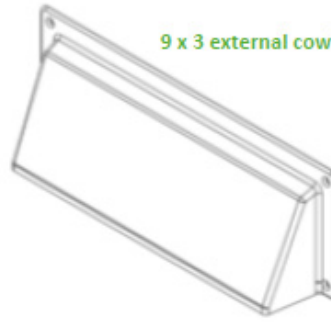
Attractive products for sustaining airflow and reducing draughts



Metal hit and miss vent



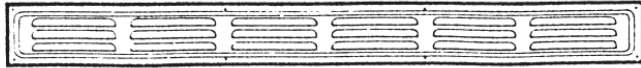
Metal louvre vent



9 x 3 external cowl



9 x 6 external cowl



Metal return air grille

## Product Codes

### Internal Plastic Grilles

Description	Colour	Fixing Hole Dimensions	Overall Dimensions	Equivalent Area	Product Code
6 x 3 louvre 'mini vent'	White	148mm x 67mm	166mm x 85mm	4100mm <sup>2</sup>	1218W
9 x 3 louvre vent	White	242mm x 86mm	260mm x 194mm	7600mm <sup>2</sup>	1207W
9 x 6 louvre vent	White	242mm x 152mm	260mm x 170mm	11300mm <sup>2</sup>	1211W
9 x 9 louvre vent	White	242mm x 217mm	260mm x 235mm	16500mm <sup>2</sup>	1212W
6 x 3 louvre vent with flyscreen	White	148mm x 67mm	166mm x 85mm	2350mm <sup>2</sup>	1218WF
9 x 3 louvre vent with flyscreen	White	242mm x 86mm	260mm x 104mm	3750mm <sup>2</sup>	1207WF
9 x 6 louvre vent with flyscreen	White	242mm x 152mm	260mm x 170mm	7150mm <sup>2</sup>	1211WF
9 x 9 louvre vent with flyscreen	White	242mm x 217mm	260mm x 235mm	8190mm <sup>2</sup>	1212WF
6 x 3 hit & miss 'mini vent'	White	148mm x 67mm	166mm x 85mm	2350mm <sup>2</sup>	1219W
9 x 3 hit & miss louvre vent	White	242mm x 86mm	260mm x 104mm	3750mm <sup>2</sup>	1208W
9 x 6 hit & miss louvre vent	White	242mm x 152mm	260mm x 170mm	7150mm <sup>2</sup>	1209W
9 x 9 hit & miss louvre vent	White	242mm x 217mm	260mm x 235mm	8190mm <sup>2</sup>	1210W

### Internal Metal Grilles

Description	Colour	Fixing Hole Dimensions	Overall Dimensions	Equivalent Area	Product Code
9 x 3 hit & miss vent	Plain aluminium	230mm x 77mm	242mm x 89mm	3741mm <sup>2</sup>	1220A
9 x 3 hit & miss vent	Brass anodised	230mm x 77mm	242mm x 89mm	3741mm <sup>2</sup>	1220BA
9 x 3 hit & miss vent	Polished brass	230mm x 77mm	242mm x 89mm	3741mm <sup>2</sup>	1220PB
9 x 6 hit & miss vent	Plain aluminium	230mm x 153mm	242mm x 165mm	6452mm <sup>2</sup>	1221A
9 x 6 hit & miss vent	Brass anodised	230mm x 153mm	242mm x 165mm	6452mm <sup>2</sup>	1221BA
9 x 6 hit & miss vent	Polished brass	230mm x 153mm	242mm x 165mm	6452mm <sup>2</sup>	1221PB
9 x 9 hit & miss vent	Plain aluminium	230mm x 230mm	242mm x 242mm	11250mm <sup>2</sup>	1222A
9 x 9 hit & miss vent	Brass anodised	230mm x 230mm	242mm x 242mm	11250mm <sup>2</sup>	1222BA
9 x 9 hit & miss vent	Polished brass	230mm x 230mm	242mm x 242mm	11250mm <sup>2</sup>	1222PB
9 x 3 louvre vent	Plain aluminium	230mm x 77mm	242mm x 89mm	3973mm <sup>2</sup>	1223A
9 x 3 louvre vent	Brass anodised	230mm x 77mm	242mm x 89mm	3973mm <sup>2</sup>	1223BA
9 x 3 louvre vent	Polished brass	230mm x 77mm	242mm x 89mm	3973mm <sup>2</sup>	1223PB
9 x 6 louvre vent	Plain aluminium	230mm x 153mm	242mm x 165mm	7946mm <sup>2</sup>	1224A
9 x 6 louvre vent	Brass anodised	230mm x 153mm	242mm x 165mm	7946mm <sup>2</sup>	1224BA
9 x 6 louvre vent	Polished brass	230mm x 153mm	242mm x 165mm	7946mm <sup>2</sup>	1224PB
9 x 9 louvre vent	Plain aluminium	230mm x 230mm	242mm x 242mm	12770mm <sup>2</sup>	1225A
9 x 9 louvre vent	Brass anodised	230mm x 230mm	242mm x 242mm	12770mm <sup>2</sup>	1225BA
9 x 9 louvre vent	Polished brass	230mm x 230mm	242mm x 242mm	12770mm <sup>2</sup>	1225PB
25.2 x 2 return air grille	Plain aluminium	636mm x 48mm	648mm x 60mm	9774mm <sup>2</sup>	1226A
25.2 x 2 return air grille	Brass anodised	636mm x 48mm	648mm x 60mm	9774mm <sup>2</sup>	1226BA

### External Cowls

Description	Colour	Fixing Hole Dimensions	Overall Dimensions	Equivalent Area	Product Code
9 x 3 external cowl	Terracotta	237mm x 78mm	255mm x 96mm	8700mm <sup>2</sup>	ABC93TE
9 x 3 external cowl	Brown	237mm x 78mm	255mm x 96mm	8700mm <sup>2</sup>	ABC93BR
9 x 6 external cowl	Terracotta	237mm x 136mm	255mm x 154mm	16000mm <sup>2</sup>	ABC96TE
9 x 6 external cowl	Brown	237mm x 136mm	255mm x 154mm	16000mm <sup>2</sup>	ABC96BR
9 x 9 external cowl	Terracotta	256mm x 217mm	274mm x 235mm	23900mm <sup>2</sup>	ABC99TE
9 x 9 external cowl	Brown	256mm x 217mm	274mm x 235mm	23900mm <sup>2</sup>	ABC99BR

NB. Guidance in BS EN 13141-1 : 2004 indicates the "free area" of a background ventilator is typically 25% larger than its "equivalent area"

