

1201XL

DATASHEET

Adjustable telescopic underfloor ventilator for up to 7 brick courses

Use

- To provide ventilation below suspended ground floors.

Features & Benefits

- Telescopic and adjustable for a step of 5, 6 or 7 brick courses.
- Suited for 50-150mm cavity width construction.
- Horizontal and vertical extension accessories available.
- Free area of 8000mm² per unit when installed without 1201AB airbrick.
- Free area of 6500mm² per unit when installed with 1201AB airbrick.
- Equivalent area of 6170mm² per unit when installed with 1201AB airbrick.
- Special grille included to prevent entry of vermin.
- Durable, robust and totally resistant to decay.

Quality

- Satisfies all NHBC requirements.
- Manufactured to BS EN ISO 9001 and BS EN ISO 14001.
- Complies with all relevant Building Regulations.
- Meets all relevant British Standards.

Material & Colour

- Manufactured by injection moulding in polypropylene.
- Available in Black only.

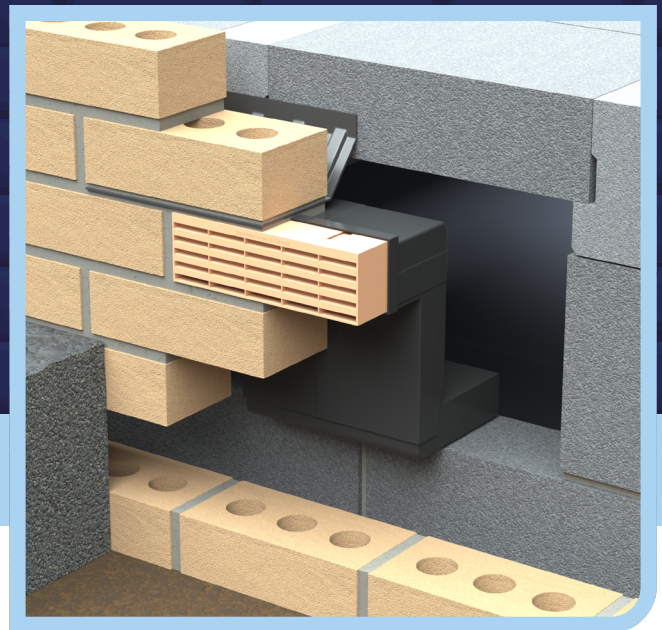
How to Order

- Measure the length of each wall requiring telescopic underfloor ventilators and divide by 2m to establish the quantity required.
- Always round up if the calculation does not work out to an exact whole number.
- To be installed with a DPC cavity tray and wall weeps to collect any water ingress. We recommend Timloc's IL4 and 2 weeps (Invisiweep or 1143).

Environmental Product Declaration

A quantification of environmental information regarding the life cycle of the 1201XL Telescopic Underfloor Ventilator. GWP total is for production stages A1-A3. Verified in accordance with ISO 14025. View the full EPD at timloc.co.uk.

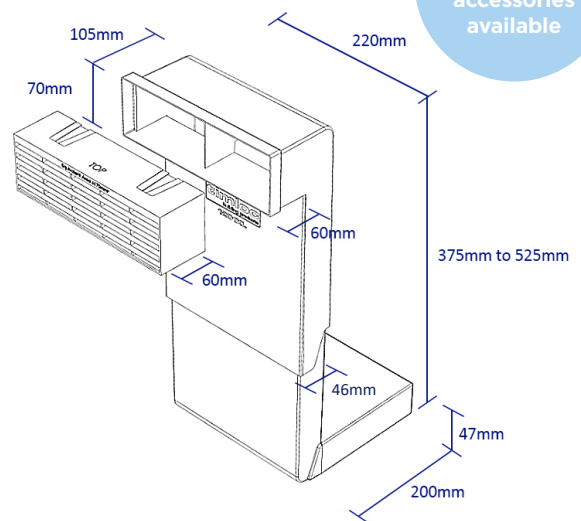
EPD Reference	EPD Mass (KG)	GWP A1-A3 (KG CO2e)
EPD HUB, HUB-1836	0.6273	1.57E-02



Bill of Quantity

- F30 Accessories/sundry items for brick/block/stone walling Clause 160 | AIRBRICK
- To BS493, Class 1, built in as the work proceeds.
 - Manufacturer: Timloc Building Products, Timloc House, Ozone Park, Howden, East Yorkshire, DN14 7SD. T: 01405 765567 W: www.timloc.co.uk
 - Reference: 1201XL Telescopic Underfloor Ventilator
 - Design: Rectangular
 - Work size: Each unit 375/525mm coursing x 220mm
 - Material: Polypropylene
 - Colour: Black
 - Optional Accessories:
 - 1203 Horizontal Front Extension (+115mm)
 - 1204 Vertical Extension Sleeve (additional 2 brick courses)
 - 1205 Duct Adaptor (suits 110mm diameter duct)
 - 1206 Horizontal Rear Extension (+100mm)

Product Dimensions



Installation Advice

- Always use in conjunction with a Timloc airbrick
- The airbrick and upper front opening of the telescopic underfloor ventilator must be positioned above the finished external ground level - usually at the same level as the ground level DPC
- The lower rear opening of the product must project down to the level of the underfloor void and must not be obstructed by the floor construction. A vertical extension sleeve is available to fit with this product if the standard 7 course step is not adequate
- Building Regulations require a free airflow below suspended ground floors of at least 1500mm² per metre run of wall. This can be achieved by spacing the ventilators at 4m centres, however, such a wide spacing is not recommended as stagnant air pockets could form in the underfloor void. Timloc recommend a spacing of not more than 2m centres to comply with NHBC standards.
- The NHBC recommend that underfloor ventilators are spaced at a maximum of 2m centres, with ventilators also positioned not more than 450mm from the ends of the wall
- As a minimum requirement ventilators should be positioned down two opposite sides of the building so as to create a cross flow ventilation action. It is good practice to position ventilators around the full perimeter of the building, particularly with complex building designs
- If the underfloor void is separated by dividing walls, openings must be provided to allow a free flow of air around the underfloor void
- The standard ventilator will fit into a cavity wall with an external leaf of 100-102.5mm, a minimum cavity width of 50mm and across a cavity of 150mm. External and internal horizontal extension sleeves are available to accommodate thicker walls or wider cavities
- To be installed with a DPC Cavity tray and wall weeps to collect any water ingress. We recommend Timloc's IL4 and 2 weeps (Invisiweep or I143)
- When incorporating with a gas barrier system and adjusted to the required height, the joining sections should be sealed with proprietary tape.
- It may be a requirement to protect with a lintel for direct loads

N.B. The 1201XL is designed for use with a 1201AB airbrick. It can be used with a clay airbrick but this will reduce the overall airflow

Product Code

Description	Colour	Coursing Height	Pack Quantity	Lead Time	Product Codes
Telescopic Underfloor Vent	Black	5-7 courses	10	Next Working Day	1201XL

N.B. The 1201XL is designed for use with a Timloc airbrick (**1201AB**). It can also be used with a clay airbrick but this will reduce the overall airflow.